



Dynalite Integration Devices

DDMIDC8

Low Level Input Integrator

Low Level Input Integrator

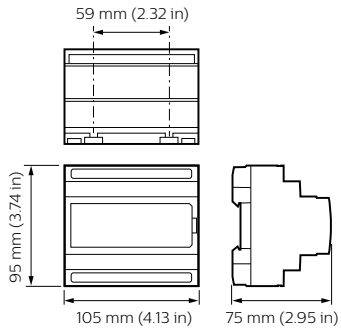
Product data

General Information	
CE mark	CE mark
Remarks	Please download the Lighting - Product Data Sheet for more information and ordering options
RoHS mark	RoHS mark
Application Conditions	
Ambient temperature range	0 to +50 °C
Product Data	
Full product code	871016350784200

Order product name	DDMIDC8
EAN/UPC - Product	8710163507842
Order code	913703081109
Numerator - Quantity Per Pack	1
Numerator - Packs per outer box	1
Material Nr. (12NC)	913703081109
Net Weight (Piece)	0.175 kg

Dynalite Integration Devices

Dimensional drawing



Dynalite System Integration

