



# Dynalite System Integration

## DDNG485

Flexible network communications gateway for DyNet RS-485 networks

Flexible network communications gateway for DyNet RS-485 networks

### Product data

General Information	
CE mark	CE mark
Remarks	Please download the Lighting - Product Data Sheet for more information and ordering options
RoHS mark	RoHS mark
Application Conditions	
Ambient temperature range	0 to +50 °C
Product Data	
Full product code	871016350787300

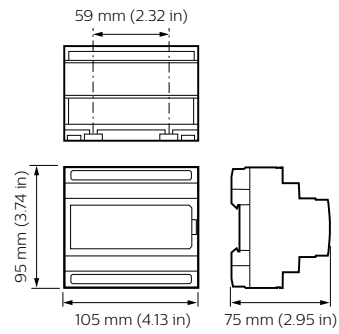
Order product name	DDNG485
EAN/UPC – product	8710163507866
Order code	50787300
Local Code	DDNG 485
Numerator – quantity per pack	1
Numerator – packs per outer box	1
Material no. (I2NC)	913703081209
Net weight (piece)	0.170 kg

# Dynalite System Integration

## Dimensional drawing



Dynalite System Integration



Dynalite System Integration

