



Dynalite System Integration

DDNG232

RS232 Network Gateway for cost-effective serial port integration

RS232 Network Gateway for cost-effective serial port integration

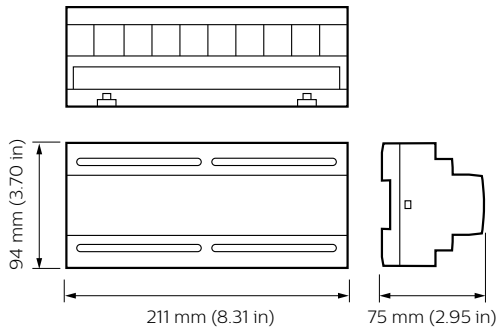
Product data

General Information	
CE mark	CE mark
Remarks	Please download the Lighting - Product Data Sheet for more information and ordering options
RoHS mark	RoHS mark
Application Conditions	
Ambient temperature range	0 to +50 °C
Product Data	
Full product code	871016352254800

Order product name	DDNG232
EAN/UPC – product	8710163522548
Order code	913703081809
Numerator – quantity per pack	1
Numerator – packs per outer box	1
Material no. (12NC)	913703081809
Net weight (piece)	169.000 g

Dynalite System Integration

Dimensional drawing



Dynalite System Integration

