



# Dynalite System Integration

## DDFCUC010

Fan Coil Unit Controller for direct connection to air conditioning systems

The Philips Dynalite DDFCUC010 is a fan coil unit controller designed for direct connection to components commonly found in air conditioning systems.

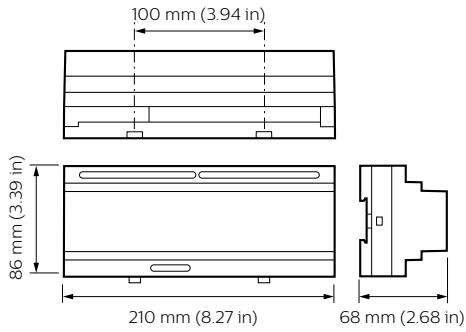
### Product data

General Information	
CE mark	CE mark
Remarks	Please download the Lighting - Product Data Sheet for more information and ordering options
RoHS mark	RoHS mark
Product Data	
Full product code	871016352600300
Order product name	DDFCUC010

EAN/UPC – product	8710163526003
Order code	913703081909
Numerator – quantity per pack	1
Numerator – packs per outer box	1
Material no. (12NC)	913703081909
Net weight (piece)	0.800 kg

# Dynalite System Integration

## Dimensional drawing



Dynalite System Integration

