



# Dynalite System Integration

## DNG232

RS232 Network Gateway for cost-effective serial port integration

RS232 Network Gateway for cost-effective serial port integration

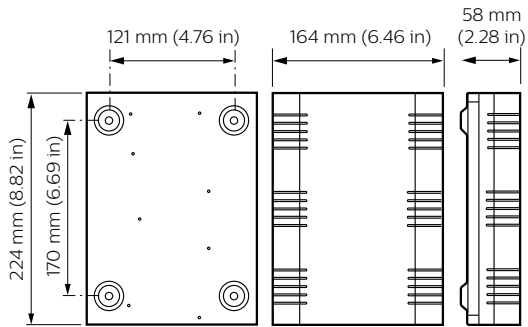
### Product data

General Information	
CE mark	CE mark
Remarks	Please download the Lighting - Product Data Sheet for more information and ordering options
RoHS mark	RoHS mark
Application Conditions	
Ambient temperature range	0 to +50 °C
Product Data	
Full product code	871016350794100

Order product name	DNG232
EAN/UPC – product	8710163507941
Order code	50794100
Numerator – quantity per pack	1
Numerator – packs per outer box	1
Material no. (12NC)	913703082109
Net weight (piece)	0.250 kg

# Dynalite System Integration

## Dimensional drawing



Dynalite System Integration

