



Dynalite System Integration

DNG485

RS-485 / DMX512 Gateway

RS-485 / DMX512 Gateway

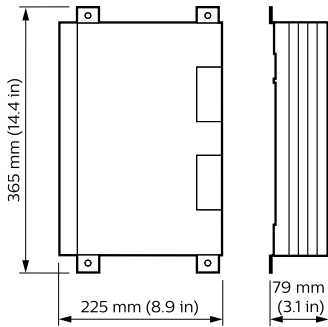
Product data

General Information	
CE mark	CE mark
Remarks	Please download the Lighting - Product Data Sheet for more information and ordering options
RoHS mark	RoHS mark
Application Conditions	
Ambient temperature range	0 to +50 °C
Product Data	
Full product code	871016350796500

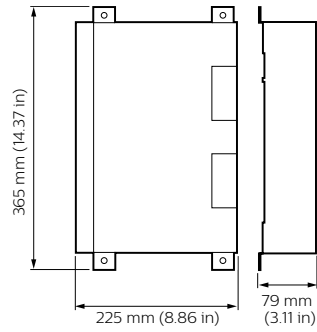
Order product name	DNG485
EAN/UPC – product	8710163507965
Order code	50796500
Numerator – quantity per pack	1
Numerator – packs per outer box	1
Material no. (12NC)	913703082209
Net weight (piece)	0.250 kg

Dynalite System Integration

Dimensional drawing



Dynalite System Integration



Dynalite System Integration

