



Dynalite Network Devices

DTK622-232

Network gateway for passive integration to a PC or RS232 system. Also available as DTK622-USB (913703090209)

Network gateway for passive integration to a PC or RS232 system. Also available as DTK622-USB (913703090209)

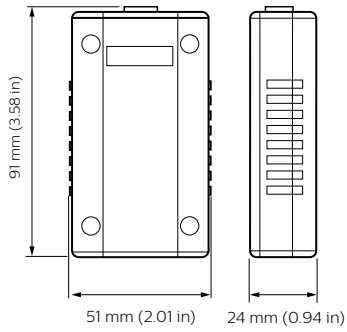
Product data

General Information	
CE mark	CE mark
Remarks	Please download the Lighting - Product Data Sheet for more information and ordering options
RoHS mark	RoHS mark
Application Conditions	
Ambient temperature range	0 to +40 °C
Product Data	
Full product code	871016350802300

Order product name	DTK622-232
EAN/UPC - Product	8710163508023
Order code	913703090109
Numerator - Quantity Per Pack	1
Numerator - Packs per outer box	1
Material Nr. (12NC)	913703090109
Net Weight (Piece)	0.230 kg

Dynalite Network Devices

Dimensional drawing



Dynalite Network Accessories

