



Dynalite User Interfaces

DR2PE SA-C-BG-P-B-N

The Dynalite hotel - system actuator provides a simple individual room energy management solution. Inserting or removing the room access card into the actuator switches between 'occupied' and 'unoccupied' modes to perform a host of functions including opening or closing blinds, switching lighting on or off, selecting pre-set air conditioning settings and controlling power to designated electrical outlets. The DR2PE-SA is suitable for, but not limited to, European, Middle Eastern, African and Asian markets. The 12NC code is for the Charcoal, Black Brosilicate Glass cardholder. Please contact your local Philips representative for product variations.

The Dynalite hotel system actuator provides a simple individual room energy management solution. Inserting or removing the room access card into the actuator switches between 'occupied' and 'unoccupied' modes to perform a host of functions including opening or closing blinds, switching lighting on or off, selecting pre-set air conditioning settings and controlling power to designated electrical outlets. The DR2PE-SA is suitable for, but not limited to, European, Middle Eastern, African and Asian markets. The 12NC code is for the Charcoal, Black Brosilicate Glass cardholder. Please contact your local Philips representative for product variations.

Product data

Dynalite User Interfaces

General Information

| | |
|-----------|---|
| CE mark | CE mark |
| Remarks | Please download the Lighting - Product Data Sheet for more information and ordering options |
| RoHS mark | RoHS mark |

Application Conditions

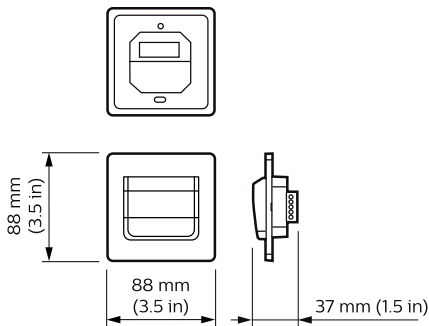
| | |
|---------------------------|-------------|
| Ambient temperature range | 0 to +50 °C |
|---------------------------|-------------|

Product Data

| | |
|-------------------|-----------------|
| Full product code | 871016352592100 |
|-------------------|-----------------|

| | |
|---------------------------------|---------------------|
| Order product name | DR2PE SA-C-BG-P-B-N |
| EAN/UPC - Product | 8710163525921 |
| Order code | 913703195909 |
| Numerator - Quantity Per Pack | 1 |
| Numerator - Packs per outer box | 1 |
| Material Nr. (12NC) | 913703195909 |
| Net Weight (Piece) | 0.096 kg |

Dimensional drawing



Dynalite User Interfaces

