



Dynalite Relay Controllers

DDRC1220FR-GL-V3

DDRC1220FR-GL provides control of multiple types of switched loads. 12 channel controller supports switched loads up to 20 A per channel, max. load of 180 A.

DDRC1220FR-GL provides control of multiple types of switched loads. 12 channel controller supports switched loads up to 20 A per channel, max. load of 180 A.

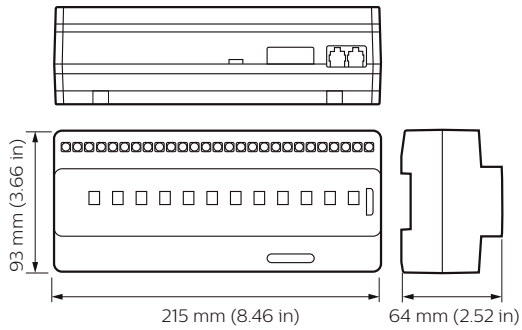
Product data

General Information	
Remarks	Please download the Lighting - Product Data Sheet for more information and ordering options
Product Family Code	YRLCON [Relay Controllers]
Product Data	
Full product code	871869688795000
Order product name	DDRC1220FR-GL-V3

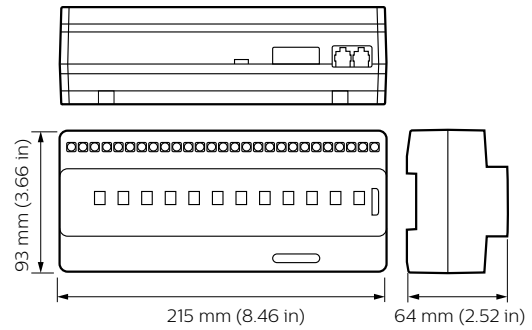
EAN/UPC – product	8718696887950
Order code	88795000
Numerator – quantity per pack	1
Numerator – packs per outer box	1
Material no. (12NC)	913703243009
Net weight (piece)	0.900 kg

Dynalite Relay Controllers

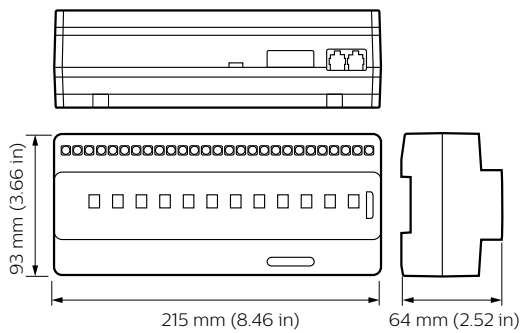
Dimensional drawing



Dynalite Multipurpose Controllers



Dynalite Multipurpose Controllers



Dynalite Multipurpose Controllers

