



# Dynalite Multipurpose Controllers

## DDMC802-V2

Multipurpose Modular Controller to control different load types with one device

Multipurpose Modular Controller to control different load types with one device

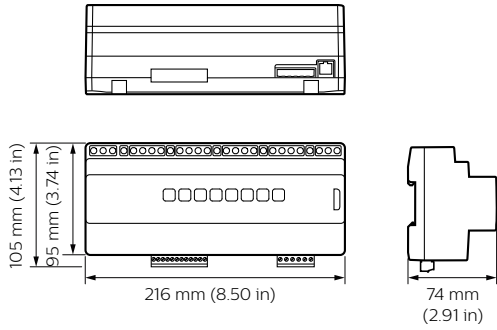
### Product data

General Information	
CE mark	CE mark
Remarks	Please download the Lighting - Product Data Sheet for more information and ordering options
RoHS mark	RoHS mark
Application Conditions	
Ambient temperature range	0 to +40 °C
Product Data	
Full product code	871869688800100

Order product name	DDMC802
EAN/UPC – product	8718696888001
Order code	88800100
Numerator – quantity per pack	1
Numerator – packs per outer box	1
Material no. (12NC)	913703243509
Net weight (piece)	460.000 g

# Dynalite Multipurpose Controllers

## Dimensional drawing



Dynalite Multipurpose Controllers

