



Dynalite Multipurpose Controllers

DDMC802 V2

Multipurpose Modular Controller to control different load types with one device

Multipurpose Modular Controller to control different load types with one device

Product data

General Information

| | |
|-----------|---|
| CE mark | CE mark |
| Remarks | Please download the Lighting - Product Data Sheet for more information and ordering options |
| RoHS mark | RoHS mark |

Application Conditions

| | |
|---------------------------|-------------|
| Ambient temperature range | 0 to +40 °C |
|---------------------------|-------------|

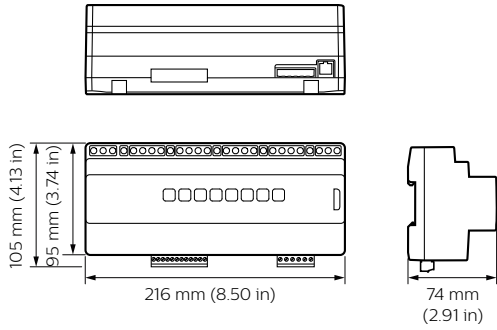
Product Data

| | |
|-------------------|-----------------|
| Full product code | 871869688800100 |
|-------------------|-----------------|

| | |
|---------------------------------|---------------|
| Order product name | DDMC802 V2 |
| EAN/UPC - Product | 8718696888001 |
| Order code | 913703243509 |
| Numerator - Quantity Per Pack | 1 |
| Numerator - Packs per outer box | 1 |
| Material Nr. (12NC) | 913703243509 |
| Net Weight (Piece) | 460.000 g |

Dynalite Multipurpose Controllers

Dimensional drawing



Dynalite Multipurpose Controllers

