



Dynalite Sensors

DUS90CS

Wall/ceiling mount 90° multifunction sensor

Wall/ceiling mount 90° multifunction sensor

Product data

General Information	
CE mark	CE mark
Remarks	Please download the Lighting - Product Data Sheet for more information and ordering options
RoHS mark	RoHS mark
Product family code	YSENSO [Sensors]

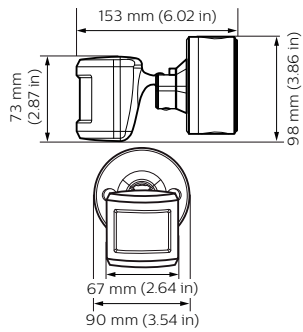
Approval and Application	
IP Classification	IP 54 [Ingress Protection 54]

Application Conditions	
Ambient temperature range	-20 to +45 °C

Product Data	
Full product code	871869688807000
Order product name	DUS90CS
EAN/UPC - Product	8718696888070
Order code	913703244209
Numerator - Quantity Per Pack	1
Numerator - Packs per outer box	1
Material Nr. (12NC)	913703244209
Net Weight (Piece)	214.000 g

Dynalite Sensors

Dimensional drawing



Dynalite Sensors

