



Dynalite Relay Controllers

DDRC420FR

4-channel relay controller for all types of switched loads up to 20 A inductive.

4-channel relay controller for all types of switched loads up to 20 A inductive.

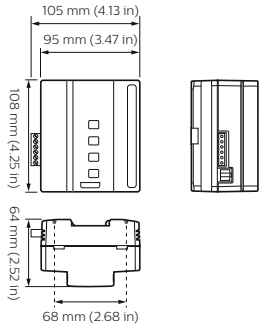
Product data

General Information	
CE mark	CE mark
Remarks	Please download the Lighting - Product Data Sheet for more information and ordering options
RoHS mark	RoHS mark
Product Family Code	YRLCON [Relay Controllers]
Application Conditions	
Ambient temperature range	0 to +50 °C
Product Data	
Full product code	87186968881700

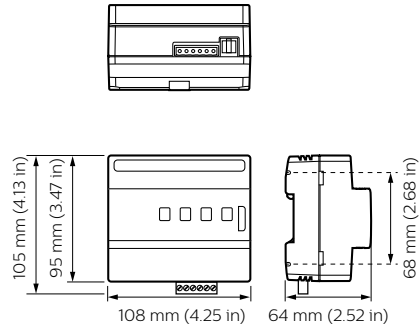
Order product name	DDRC420FR
EAN/UPC – product	8718696888177
Order code	913703244609
Numerator – quantity per pack	1
Numerator – packs per outer box	1
Material no. (12NC)	913703244609
Net weight (piece)	329.000 g

Dynalite Relay Controllers

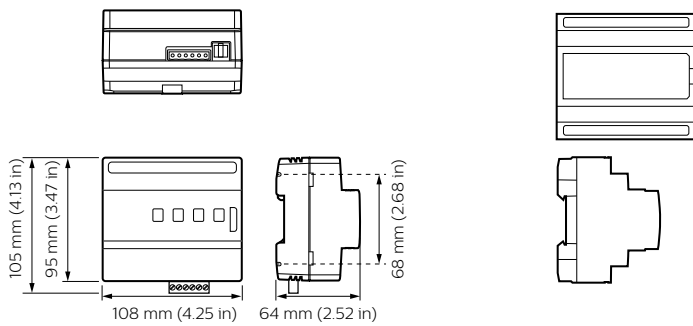
Dimensional drawing



Dynalite Relay Controllers



Dynalite Relay Controllers



Dynalite Relay Controllers

