



# Dynalite User Interface

## PATPE-WA-X

PATPA AntumbraTouch EU

PATPA AntumbraTouch EU

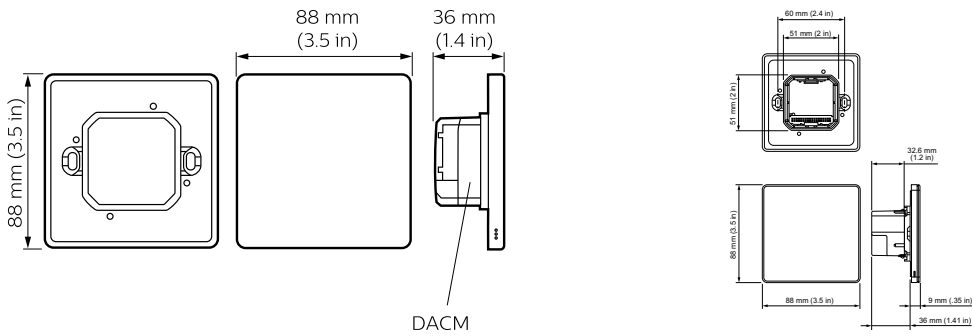
### Product data

General Information	
CE mark	CE mark
Remarks	Please download the Lighting - Product Data Sheet for more information and ordering options
FCC mark	FCC Class B
RoHS mark	RoHS mark
Type number	Antumbra touch panel, European style
Product Family Code	YUINTF [ Dynalite User interfaces]
Product Data	
Full product code	871829168530200

Order product name	PATPE-WA-X
EAN/UPC – product	8718291685302
Order code	68530200
Local Code	PATPE-WA-X
Numerator – quantity per pack	1
Numerator – packs per outer box	1
Material no. (12NC)	913703433007
Net weight (piece)	0.084 kg

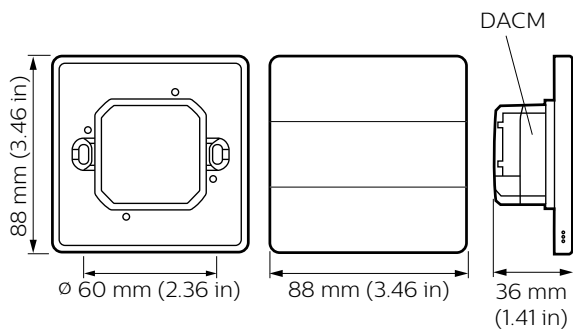
# Dynalite User Interface

## Dimensional drawing



Dynalite User Interfaces

Dynalite User Interfaces



Dynalite User Interfaces

