



Dynalite User Interface

PATPE-WA-X

PATPA AntumbraTouch EU

PATPA AntumbraTouch EU

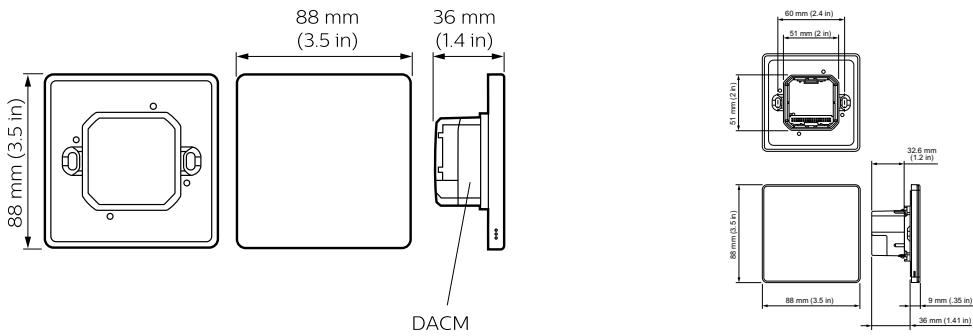
Product data

General Information	
CE mark	CE mark
Remarks	Please download the Lighting - Product Data Sheet for more information and ordering options
RoHS mark	RoHS mark
Type number	Antumbra touch panel, European style
Product Data	
Full product code	871829168530200

Order product name	PATPE-WA-X
EAN/UPC - Product	8718291685302
Order code	913703433007
Numerator - Quantity Per Pack	1
Numerator - Packs per outer box	1
Material Nr. (12NC)	913703433007
Net Weight (Piece)	0.084 kg

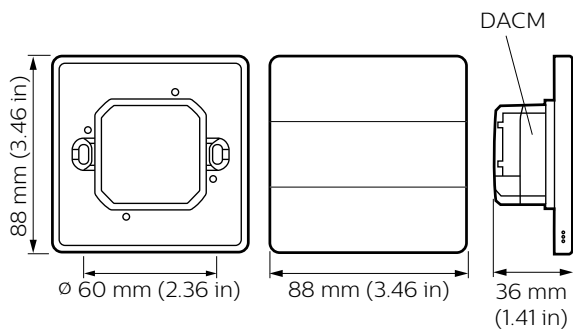
Dynalite User Interface

Dimensional drawing



Dynalite User Interfaces

Dynalite User Interfaces



Dynalite User Interfaces

