



# Dynalite User Interfaces

## PATPE-BC-X

PATPA AntumbraTouch EU

PATPA AntumbraTouch EU

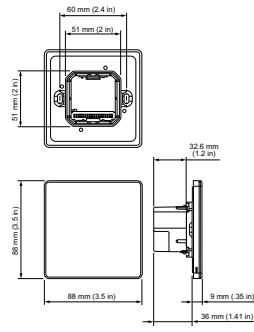
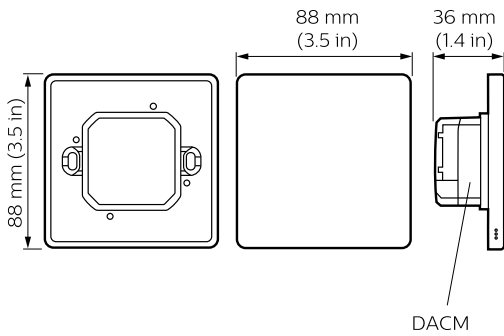
### Product data

General Information	
CE mark	CE mark
Remarks	Please download the Lighting - Product Data Sheet for more information and ordering options
RoHS mark	RoHS mark
Type number	Antumbra touch panel, European style
Product Data	
Full product code	871829168540100

Order product name	PATPE-BC-X
EAN/UPC - Product	8718291685401
Order code	913703433507
Numerator - Quantity Per Pack	1
Numerator - Packs per outer box	1
Material Nr. (12NC)	913703433507
Net Weight (Piece)	0.084 kg

# Dynalite User Interfaces

## Dimensional drawing



Dynalite User Interfaces

Dynalite User Interfaces

