



Dynalite Sensors

DUS360CR

Low profile 360° ceiling sensor

Low profile 360° ceiling sensor

Product data

General Information	
CE mark	CE mark
Remarks	Please download the Lighting - Product Data Sheet for more information and ordering options
RoHS mark	RoHS mark

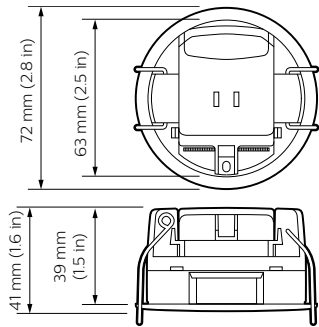
Approval and Application	
UL Recognized Canada & US	Yes

Application Conditions	
Ambient temperature range	0 to +45 °C

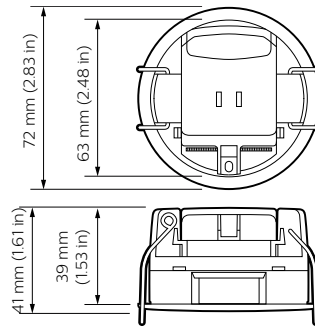
Product Data	
Full product code	871869688640300
Order product name	DUS360CR
EAN/UPC - Product	8718696886403
Order code	913703500709
Numerator - Quantity Per Pack	1
Numerator - Packs per outer box	1
Material Nr. (12NC)	913703500709
Net Weight (Piece)	61.000 g

Dynalite Sensors

Dimensional drawing



Dynalite Sensors



Dynalite Sensors

