



Dynalite Sensors

DUS360CR-DA

Low profile 360° ceiling sensor - DIP Switch

Low profile 360° ceiling sensor - DIP Switch

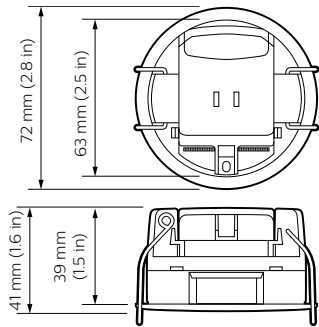
Product data

General Information	
Remarks	Please download the Lighting - Product Data Sheet for more information and ordering options
RoHS mark	RoHS mark
Approval and Application	
UL Recognized Canada & US	Yes
Product Data	
Full product code	871869688641000

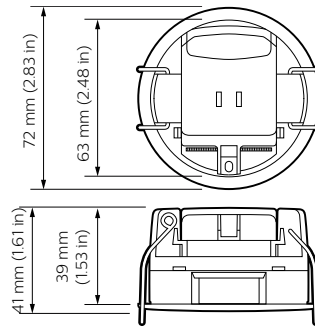
Order product name	DUS360CR-DA
EAN/UPC - product	8718696886410
Order code	913703500809
Numerator - quantity per pack	1
Numerator - packs per outer box	1
Material no. (12NC)	913703500809
Net weight (piece)	95.000 g

Dynalite Sensors

Dimensional drawing



Dynalite Sensors



Dynalite Sensors

