



# Dynalite Sensors

## DUS360CR-DA

Low profile 360° ceiling sensor - DIP Switch

Low profile 360° ceiling sensor - DIP Switch

### Product data

General Information	
Remarks	Please download the Lighting - Product Data Sheet for more information and ordering options
FCC mark	FCC Class B
RoHS mark	RoHS mark
Product family code	YSENSO [ Sensors]

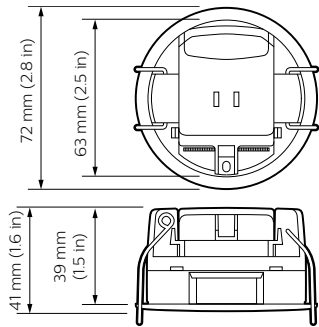
Approval and Application	
UL Recognized Canada & US	Yes

Product Data	
Full product code	871869688641000

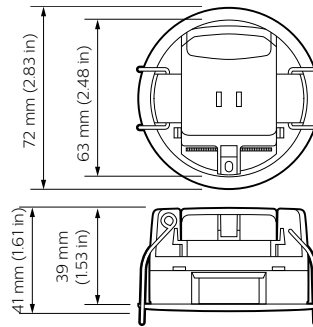
Order product name	DUS360CR-DA
EAN/UPC - Product	8718696886410
Order code	913703500809
Numerator - Quantity Per Pack	1
Numerator - Packs per outer box	1
Material Nr. (12NC)	913703500809
Net Weight (Piece)	95.000 g

# Dynalite Sensors

## Dimensional drawing



Dynalite Sensors



Dynalite Sensors

