



# Dynalite Sensors

## DUS360CR-DALI

Low profile 360° ceiling sensor powered by the DALI network

Low profile 360° ceiling sensor powered by the DALI network

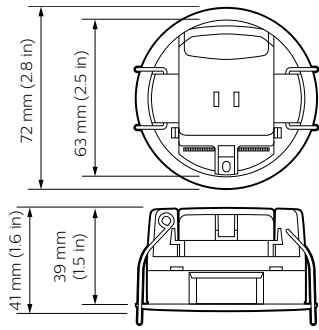
### Product data

General Information	
CE mark	CE mark
Remarks	Please download the Lighting - Product Data Sheet for more information and ordering options
RoHS mark	RoHS mark
Kode keluarga produk	YSENSO [Sensors]
Approval and Application	
UL Recognized Canada & US	Yes
Application Conditions	
Ambient temperature range	0 to +45 °C

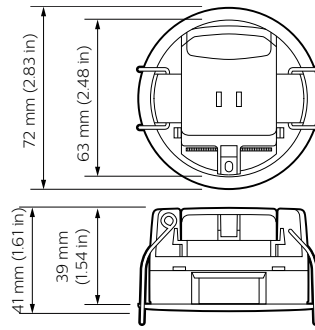
Product Data	
Full product code	871869688710300
Order product name	DUS360CR-DALI
EAN/UPC – product	8718696887103
Order code	913703500909
Numerator – quantity per pack	1
Numerator – packs per outer box	1
Material no. (12NC)	913703500909
Net weight (piece)	62.000 g

# Dynalite Sensors

## Dimensional drawing



Dynalite Sensors



Dynalite Sensors

