



# Dynalite Signal Dimmer Controllers

## DDBC120-DALI

Signal Dimmer Controller up to 64 DALI lamp drivers and 10 DALI sensors/switches.

Signal Dimmer Controller up to 64 DALI lamp drivers and 10 DALI sensors/switches.

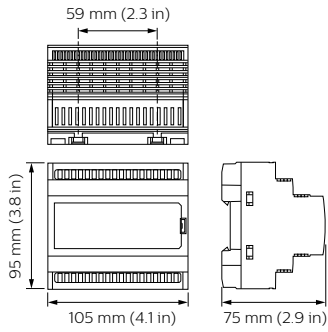
### Product data

General Information	
CE mark	CE mark
Remarks	Please download the Lighting - Product Data Sheet for more information and ordering options
RoHS mark	RoHS mark
Kode keluarga produk	YHFCON [ HF Ballast Controllers]
Application Conditions	
Ambient temperature range	0 to +40 °C
Product Data	
Full product code	871869688704200

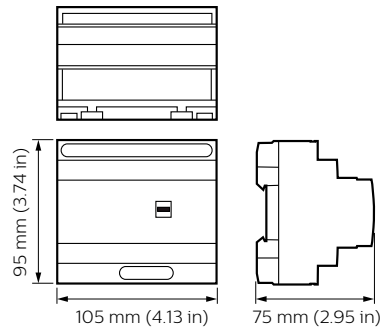
Order product name	DDBC120-DALI
EAN/UPC – product	8718696887042
Order code	913703685109
Numerator – quantity per pack	1
Numerator – packs per outer box	1
Material no. (12NC)	913703685109
Net weight (piece)	203.000 g

# Dynalite Signal Dimmer Controllers

## Dimensional drawing



Dynalite Signal Dimmer Controllers



Dynalite Signal Dimmer Controllers

