



Dynalite Signal Dimmer Controllers

DDBC120-DALI

Signal Dimmer Controller up to 64 DALI lamp drivers and 10 DALI sensors/switches.

Signal Dimmer Controller up to 64 DALI lamp drivers and 10 DALI sensors/switches.

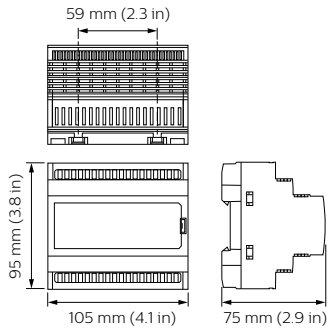
Product data

General Information	
CE mark	CE mark
Remarks	Please download the Lighting - Product Data Sheet for more information and ordering options
RoHS mark	RoHS mark
Application Conditions	
Ambient temperature range	+32 to +104 °F
Product Data	
Order product name	DDBC120-DALI

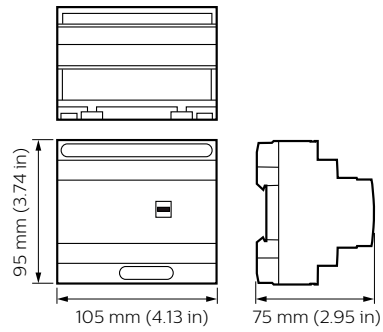
EAN/UPC - Product	8718696887042
Order code	913703685109
Local order code	.
Numerator - Quantity Per Pack	1
Numerator - Packs per outer box	1
Material Nr. (12NC)	913703685109
Net Weight (Piece)	203.000 g

Dynalite Signal Dimmer Controllers

Dimensional drawing



Dynalite Signal Dimmer Controllers



Dynalite Signal Dimmer Controllers

