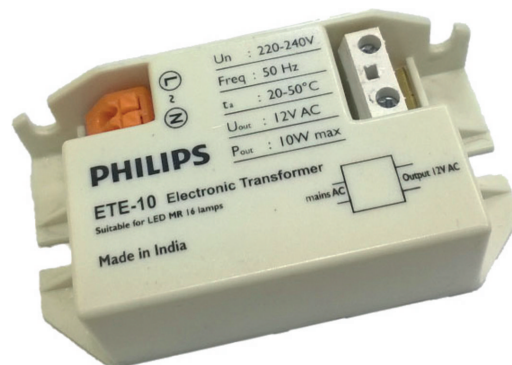


PHILIPS

Lighting



Electronic transformers

ET-E 10 220-240V

A high frequency electronic transformer for operation with 12V halogen lamps. It is fully IEC compliant with unique compact size and light weight

Product data

General Information	
Type version	-
Lamp type	-
Automatic restart	Yes

Operating and Electrical	
Input voltage	220 to 240 V
Input frequency	50 to 60 Hz
Power factor 100% load (nom.)	0.94
Mains voltage performance (AC)	202...254V
Mains voltage safety (AC)	198...264V
Inrush current width	0.10 ms
Power losses (nom.)	1 W
Inrush current peak (max.)	15 A
Output voltage	- V

Wiring	
Cable capacity wires device to lamp (max.)	120 nF
Cable length from device to lamp	1.5 m
Wire strip length	8.0-9.0 mm

System characteristics	
Rated ballast-lamp power	10 W

Temperature	
T ambient (max.)	50 °C
T ambient (min.)	-20 °C
T storage (max.)	50 °C
T storage (min.)	-40 °C
T-Case maximum (max.)	65 °C

Approval and Application

Humming and noise level	< 30 dB(A)
-------------------------	------------

Product Data

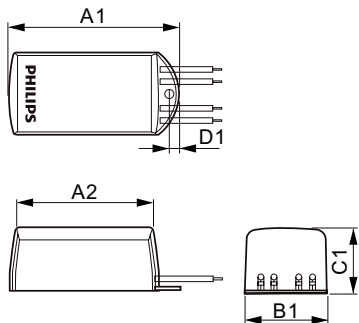
Full product code	697013372907600
Order product name	ET-E 10 220-240V
EAN/UPC – product	6970133729076
Order code	913710032179
Numerator – quantity per pack	1
Numerator – packs per outer box	48
Material no. (12NC)	913710032179
Net weight (piece)	0.040 kg

Electronic transformers

Warnings and Safety

- Transformer is not suitable for DC operation

Dimensional drawing



Product	D1	C1	A1	B1
ET-E 10 220-240V	4.4 mm	24.5 mm	76.0 mm	38.0 mm

ET-E 10 LED 220-240V 50/60Hz

