

# Electronic transformers

## ET-E 30 220-240V

A high frequency electronic transformer for operation with 12V halogen lamps. It is fully IEC compliant with unique compact size and light weight

### Product data

General Information		Cable length from device to lamp	
Number of products on MCB (16 A type B) (max.)	50		1.5 m
Automatic restart	No	Wire strip length	8.0-9.0 mm
Operating and Electrical		System characteristics	
Rated ballast-lamp power			30 W
Input voltage	220 to 240 V	Temperature	
Input frequency	50 to 60 Hz	T ambient (max.)	50 °C
Operating frequency (nom.)	45-66 kHz	T ambient (min.)	-20 °C
Power factor 100% load (nom.)	0.9	T storage (max.)	50 °C
Mains voltage performance (AC)	202...254V	T storage (min.)	-40 °C
Mains voltage safety (AC)	198...264V	T-Case maximum (max.)	65 °C
Inrush current width	0.28 ms	Approval and Application	
Power losses (nom.)	6 W	Approval marks	SELV
Inrush current peak (max.)	10 A	Humming and noise level	< 30 dB(A)
Output voltage	11.3 V	Product Data	
Wiring		Full product code	694793917165100
Connector type input terminals	cable	Order product name	ET-E 30 220-240V
Cable capacity wires device to lamp (max.)	0.12 nF	EAN/UPC – product	6947939171651
Colour input terminals	BLK & WHT	Order code	913710032964
Colour output terminals	Red		
Connector type output terminals	cable		

## Electronic transformers

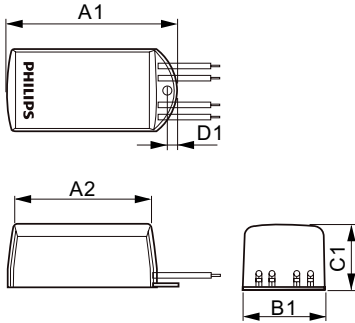
Numerator – quantity per pack	1
Numerator – packs per outer box	48
Material no. (12NC)	913710032964

Net weight (piece)	0.050 kg
--------------------	----------

### Warnings and Safety

- Transformer is not suitable for DC operation

### Dimensional drawing



Product	D1	C1	A1	B1	A2
ET-E 30 220-240V	4.4 mm	24.5 mm	76 mm	38 mm	72 mm

ET-E 30 220-240V

