



F-can (72C)

F-CAN HID HPS BAL 50W S68 120/277V FCAN

The Philips Advance line of F-can HID ballasts comes in two dual-voltage configurations for the US and Canadian market. Ballasts for these luminaires are most often encased and potted in fluorescent ballast type cans.

Product data

| General Information | |
|--------------------------|--------------|
| ANSI Code | S68 |
| Lamp Type | 50W HPS |
| Number of Lamps | 1 piece/unit |
| Circuit Type | HX-HPF |
| Ballast Type | Magnetic HID |
| Base Model | 72C7884 |
| Suitable For Outdoor Use | Yes |
| Ignitor Catalog Number | Inside Can |
| Capacitor Catalog Number | Inside Can |
| Automatic Restart | No |

| Operating and Electrical | |
|---------------------------------|----------------------|
| Input Voltage | 120/277 V |
| Input Frequency | 60 Hz |
| Inp. Current (Open Circuit) | 1.4/0.62 A |
| Input Current (Starting) | 0.7/0.35 A |
| Input Current (Short Circuit) | 0.6-0.95/0.28-0.42 A |
| Secondary Short Circuit Current | 1.55-1.95 A |
| Constant Wattage Deviation | Within Trapezoid |
| Ballast Factor (Nom) | 1 |
| Power Factor (Nom) | 0.90 |
| Nominal Open Circuit Voltage | 120 V |
| Input Current (Operating) (Nom) | 0.65/0.3 A A |

| | |
|-------------------|------|
| Input Power (Nom) | 65 W |
| Rated Lamp Watts | 50 W |

| Wiring | |
|---|----------|
| Wire Striplength | 0.5 mm |
| Wire Length by Color | 12" |
| Wire Type | Stranded |
| Remote Wiring Configuration Allowed | Yes |
| Max Ballast-Lamp Distance Remote Wiring | 15' |
| Recommended Fuse Value | 4/2 A |

| Mechanical and Housing | |
|------------------------|---------------------|
| Housing Material | Metal |
| Housing | F-Can |
| Housing Dimensions | 11.75 x 2.63 x 3.19 |

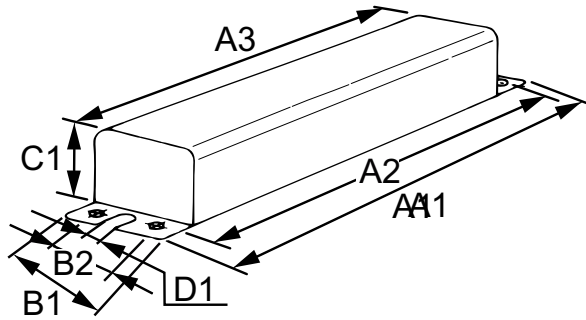
| Approval and Application | |
|-----------------------------------|---|
| Open Circuit Voltage Test (Volts) | 110-130 V |
| Approbation Marks | CSA certificate UL certificate RoHS Compliant |
| Temperature Marking | 90°C max. case |
| UL Recognized | No |
| Hipot Test (1 Minute) | 1600 V |
| Hipot Test (2 Seconds) | 2000 V |

F-can (72C)

| | |
|---------------------|--|
| UL Insulation Class | A(105°C) |
| UL Temperature Code | NA |
| Product Data | |
| Order product name | F-CAN HID HPS BAL 50W S68 120/277V FCAN |
| EAN/UPC - Product | 781087025147 |

| | |
|---------------------------------|--------------|
| Order code | 72C7884NP001 |
| Numerator - Quantity Per Pack | 1 |
| Numerator - Packs per outer box | 1 |
| Material Nr. (12NC) | 913710409601 |
| Net Weight (Piece) | 3.561 kg |

Dimensional drawing



HPS BAL 50W S68 120/277V FCAN

| Product | A1 | A2 | A3 | B1 | B2 | C1 | D1 |
|------------------------|-------|----------|---------|--------|--------|--------|--------|
| F-CAN HID 72C7884NP001 | 12 in | 11.13 in | 10.5 in | 3.9 in | 2.0 in | 2.6 in | 0.3 in |

