



Optanium Step Dim

OPTANIUM ELE BALLAST (2) F28T5 120-277V

Philips Advance Optanium ballasts with step-dim capability for T5 and T8 fluorescent lamps represent an affordable, energy-efficient, and versatile lighting solution designed to meet energy codes such as California’s Title 24 and ASHRAE 90.1-2010 that require end users to reduce lighting power consumption by 50%. Operating from any line voltage switching device, the ballast’s programmed-start circuitry provides extended lamp life in frequent switching applications like those associated with the use of occupancy sensors or motion detectors making this product the sustainable choice for many commercial applications.

Product data

General Information	
Lamp Type	F28T5
Number of Lamps	1/2 piece/unit
Ballast Type	Electronic Fluorescent
Base Model	IOP2S2895SCSD
Suitable For Outdoor Use	Yes
Automatic Restart	Yes
Operating and Electrical	
Input Voltage	120 to 277 V
Input Frequency	50 to 60 Hz
Total Harmonic Distortion USA	10 %
Ignition Method	Programmed Start
Crestfactor (Nom)	1.6
Ignition Time (Nom)	1.5 s
Ballast Factor (Nom)	0.95
Power Factor (Nom)	0.98
Input Current (Max)	0.50 A
Input Current (Min)	0.22 A

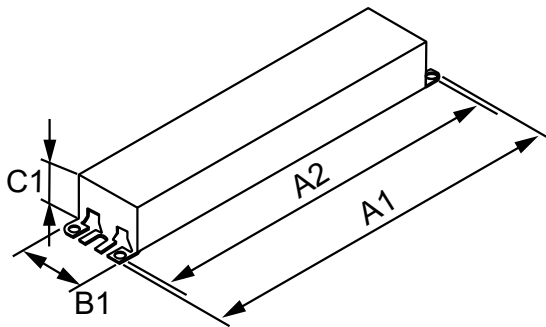
Input Power (Nom)	60-58 W
Rated Lamp Power	28 W
Wiring	
Color Input Terminals	No terminals
Color Output Terminals	No terminals
Wire Striplength	0.50/0.375 mm
Lamp Connection	Series
Wire Length by Color	See data sheet
Wire Gauge (Nom)	18AWG mm
Wire Type	Solid
Remote Wiring Configuration Allowed	Yes
Tandem Wiring Configuration Allowed	Yes
Through Wiring Configuration Allowed	Yes
Max Ballast-Lamp Distance Remote Wiring	7'
Max Ballast-Lamp Distance Tandem Wiring	Any = 7'
Max Ballast-Lamp Distance Through Wiring	Any = 7'
Connector Type	No connector

Optanium Step Dim

Temperature	
T-Case Maximum (Nom)	70 °C
Mechanical and Housing	
Housing Material	Metal
Housing	SC
Housing Dimensions	9.5" x 1.7" x 1.18"
Approval and Application	
EMC Immunity Standard	FCC Non-Consumer
Approval Marks	CSA certificate UL certificate CEC Listing RoHS Compliant
Hum And Noise Level	A

UL Recognized	No
Product Data	
Order product name	OPTANIUM ELE BALLAST (2) F28T5 120-277V
EAN/UPC - Product	781087057629
Order code	913710814902
Numerator - Quantity Per Pack	1
Numerator - Packs per outer box	20
Material Nr. (12NC)	913710814902
Net Weight (Piece)	0.427 kg

Dimensional drawing



ELE BALLAST (2) F28T5 120-277V

Product	A1	A2	B1	C1
OPTANIUM ELE BALLAST (2) F28T5 120-277V	9.5 in	8.90 in	1.7 in	1.18 in

