



Centium T8 Instant Start

CENTIUM ELE BALLAST (2) F32T8 120-277V

Reliable and energy efficient Philips Advance's Centium commercial grade specifications, plus added benefits of lamp striation reduction technology.

Product data

General Information	
Lamp type	F32T8
Number of lamps	1/2 piece/unit
Ballast type	Electronic Fluorescent
Base model	ICN2P32N
Suitable for outdoor use	Yes
Automatic restart	Yes

Operating and Electrical	
Input voltage	120 to 277 V
Input frequency	50 to 60 Hz
Total harmonic distortion USA	10 %
Ignition method	Instant Start
Crest factor (nom.)	1.7
Ignition time (nom.)	0.1 s
Ballast factor (nom.)	0.89
Power factor (nom.)	0.98
Input current (max.)	0.49 A
Input current (min.)	0.22 A
Input power (nom.)	56-56 W
Rated lamp power	32 W

Wiring	
Colour input terminals	No terminals
Colour output terminals	No terminals
Wire strip length	0.50/0.375 mm
Lamp connection	Parallel
Wire length by colour	See data sheet
Wire gauge (nom.)	18AWG mm
Wire type	Solid
Remote wiring configuration allowed	Yes
Tandem wiring configuration allowed	Yes
Through-wiring configuration allowed	Yes
Max. ballast-lamp distance remote wiring	ES = 6' / Standard = 20'
Max. ballast-lamp distance tandem wiring	ES = 6' / Standard = 20'
Max. ballast-lamp distance through-wiring	ES = 6' / Standard = 20'
Connector type	No connector

Temperature	
T-Case maximum (nom.)	70 °C

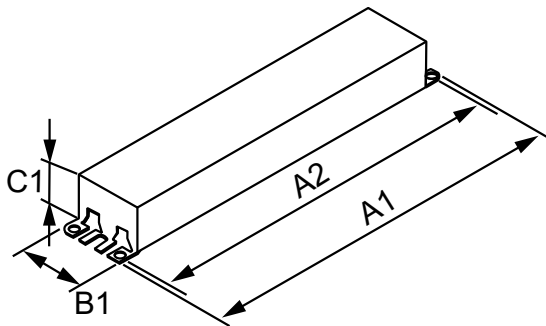
Mechanical and Housing	
Housing material	Metal
Housing	N

Centium T8 Instant Start

Housing dimensions	9.5" x 1.3" x 1.0"
Approval and Application	
EMC immunity standard	FCC Non-Consumer
Approval marks	CSA certificate UL certificate CEC Listing CEE Rated CSA E NEMA Premium NOM certificate RoHS Compliant
Humming and noise level	A
UL recognised	No
Product Data	
Full product code	578108706913430

Order product name	CENTIUM ELE BALLAST (2) F32T8 120-277V
EAN/UPC – product	781087069127
Order code	06913430
Numerator – quantity per pack	1
Numerator – packs per outer box	30
Material no. (12NC)	913710842702
Net weight (piece)	305.000 g

Dimensional drawing



ELE BALLAST (2) F32T8 120-277V

Product	A1	A2	B1	C1
CENTIUM ELE BALLAST (2) F32T8 120-277V	9.50 in	8.90 in	1.30 in	1.00 in

