



Centium T12 Rapid Start

CENTIUM ELE BALLAST (2) F40T12 120-277V

No matter what the conditions require, operating at a variety of line voltages between 120V to 480V, whether located in high ambient temperature environments (requiring a 90° C rating) or not, our family of Philips Advance Centium ballasts are ideal for a wide variety of applications.

Product data

General Information		Rated lamp power	
Lamp type	F40T12		40 W
Number of lamps	1/2 piece/unit	Wiring	
Ballast type	Electronic Fluorescent	Colour input terminals	No terminals
Base model	ICN2S40N	Colour output terminals	No terminals
Suitable for outdoor use	Yes	Wire strip length	0.50/0.375 mm
Automatic restart	Yes	Lamp connection	Series
Operating and Electrical		Wire length by colour	See data sheet
Input voltage	120 to 277 V	Wire gauge (nom.)	18AWG mm
Input frequency	50 to 60 Hz	Wire type	Solid
Total harmonic distortion USA	10 %	Remote wiring configuration allowed	Yes
Ignition method	Rapid Start	Tandem wiring configuration allowed	Yes
Crest factor (nom.)	1.7	Through-wiring configuration allowed	Yes
Ignition time (nom.)	1 s	Max. ballast-lamp distance remote wiring	20'
Ballast factor (nom.)	0.85	Max. ballast-lamp distance tandem wiring	Red = 10'
Power factor (nom.)	0.98	Max. ballast-lamp distance through-wiring	Red = 10'
Input current (max.)	0.62 A	Connector type	No connector
Input current (min.)	0.26 A		
Input power (nom.)	72-72 W		

Centium T12 Rapid Start

Temperature

T-Case maximum (nom.)	70 °C
-----------------------	-------

Mechanical and Housing

Housing material	Metal
Housing	N
Housing dimensions	9.5" x 1.3" x 1.0"

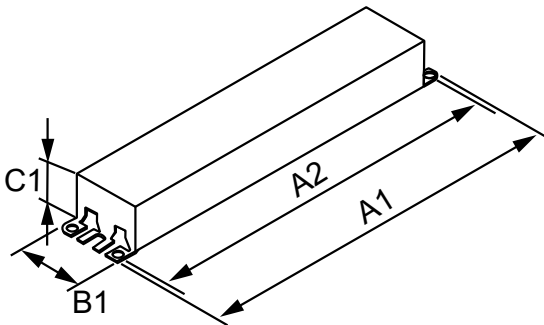
Approval and Application

EMC immunity standard	FCC Non-Consumer
Approval marks	CSA certificate UL certificate CEC Listing Circle E logo CSA E DOE RoHS Compliant
Humming and noise level	A
UL recognised	No

Product Data

Full product code	578108707487930
Order product name	CENTIUM ELE BALLAST (2) F40T12 120-277V
EAN/UPC – product	781087074879
Order code	07487930
Numerator – quantity per pack	1
Numerator – packs per outer box	30
Material no. (12NC)	913710855802
Net weight (piece)	0.187 kg

Dimensional drawing



ELE BALLAST (2) F40T12 120-277V

Product	A1	A2	B1	C1
CENTIUM ELE BALLAST (2) F40T12 120-277V	9.50 in	8.90 in	1.30 in	1.00 in

