



Optanium T8 Programmed Start

OPTANIUM ELE BALLAST (4) F32T8 120-277V

Philips Advance Optanium high-efficiency electronic ballasts are engineered to optimize lighting performance and maximize energy savings. These ballasts provide an unparalleled package of features and benefits to support the wide variety of T8 fluorescent lamps out in the market place.

Product data

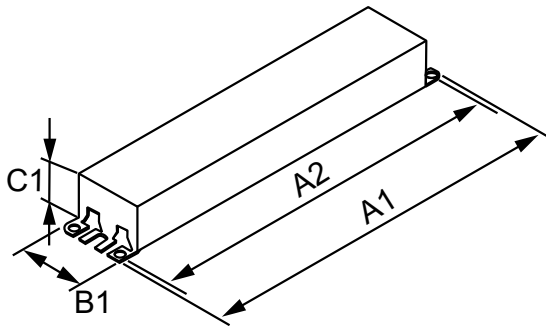
General Information		Rated Lamp Watts	
Lamp Type	F32T8	Rated Lamp Watts	32 W
Number of Lamps	3/4 piece/unit	Wiring	
Ballast Type	Electronic Fluorescent	Color Input Terminals	No terminals
Base Model	IOP4PSP32SC	Color Output Terminals	No terminals
Suitable For Outdoor Use	Yes	Wire Striplength	0.50/0.375 mm
Automatic Restart	Yes	Lamp Connection	Parallel
Operating and Electrical		Wire Length by Color	See data sheet
Input Voltage	120 to 277 V	Wire Gauge (Nom)	18AWG mm
Input Frequency	50 to 60 Hz	Wire Type	Solid
Max THD	10 %	Remote Wiring Configuration Allowed	Yes
Starting Method	Programmed Start	Tandem Wiring Configuration Allowed	Yes
Lamp Current Crest Factor (Nom)	1.6	Through Wiring Configuration Allowed	Yes
Ignition Time (Nom)	1.5 s	Max Ballast-Lamp Distance Remote Wiring	20'
Ballast Factor (Nom)	0.88	Max Ballast-Lamp Distance Tandem Wiring	Any = 20'
Power Factor (Nom)	0.98	Max Ballast-Lamp Distance Through Wiring	Any = 20'
Input Current (Operating) (Max)	0.93 A	Connector Type	No connector
Input Current (Operating) (Min)	0.40 A		
Input Power (Nom)	110-109 W		

Optanium T8 Programmed Start

Temperature	
T-Case Maximum (Nom)	70 °C
Mechanical and Housing	
Housing Material	Metal
Housing	SC
Housing Dimensions	9.5" x 1.7" x 1.18"
Approval and Application	
EMC Immunity Standard	FCC Non-Consumer
Approbation Marks	CSA certificate UL certificate CEC Listing CEE Rated NEMA Premium RoHS Compliant
Sound Rating	A

UL Recognized	No
Product Data	
Order product name	OPTANIUM ELE BALLAST (4) F32T8 120-277V
EAN/UPC - Product	781087081808
Order code	IOP4PSP32SC35I
Numerator - Quantity Per Pack	1
Numerator - Packs per outer box	10
Material Nr. (12NC)	913710894601
Net Weight (Piece)	0.595 kg

Dimensional drawing



ELE BALLAST (4) F32T8 120-277V

Product	A1	A2	B1	C1
OPTANIUM ELE BALLAST (4) F32T8 120-277V	9.5 in	8.90 in	1.7 in	1.18 in

