



Ignitors

IGN 50 220-240V 50/60Hz 2.80-4.50kV

Text only available in Brazilian

Product data

Operating and Electrical	
Input Voltage	220 to 240 V
Line Frequency	50 to 60 Hz
Input Frequency	50 to 60 Hz

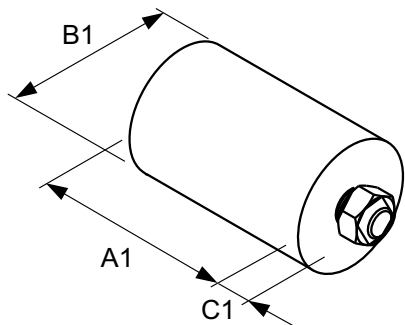
Wiring	
Connector Type	Wire
Input Wire Cross Section (Nom)	0.75 mm ²

Temperature	
Ambient temperature range	-10 °C to 85 °C
T-Case Maximum (Max)	90 °C

Product Data	
Full product code	789440040054500
Order product name	IGN 50 220-240V 50/60Hz 2.80-4.50kV
Order code	913711400501
Numerator - Quantity Per Pack	1
Numerator - Packs per outer box	20
Material Nr. (12NC)	913711400501
Full product name	IGN 50 220-240V 50/60Hz 2.80-4.50kV
EAN/UPC - Case	7896791235188
EAN/UPC - Product/Case	7894400400545

Ignitors

Dimensional drawing



Product	C1	A1	B1
IGN 50 220-240V 50/60Hz 2.80-4.50kV	7.0 mm	62.0 mm	43.0 mm

