



HID-CertaVision for CDM

HID-CV 150 /S CDM 220-240 50/60Hz

HID-CertaVision electronic ballast for use with ceramic metal-halide (CDM) lamps

Product data

General Information	
Lamp Type	CDM
Number of Lamps	1 piece/unit
Number of Products on MCB (16A Type B) (Nom)	24
Operating and Electrical	
Input Voltage	220 to 240 V
Input Frequency	50 to 60 Hz
Minimum Mains Voltage Operation (Min)	198 V
Power Factor 100% Load (Nom)	0.95
Ignition Voltage (Max)	4.5 kV
Ignition Voltage (Min)	3.3 kV
Ignition Switch-Off Time (Nom)	20 min
Mains Voltage Performance (AC)	198-254V
Mains Voltage Safety (AC)	180-264V
Earth Leakage Current (Nom)	0.7 mA
Inrush Current Width	0.60 ms
Constant Wattage Deviation	-5%/+5%
Power Losses (Nom)	13 W
Inrush Current Peak (Nom)	55 A

Wiring	
Cable Capacity Output Wires Mutual (Nom)	150 pF
Cable Length From Device to Lamp	1.5 m
Connector Type	Push
System characteristics	
Rated Ballast-Lamp Power	150 W
Temperature	
T-Ambient (Max)	55 °C
T-Ambient (Min)	-20 °C
T-Storage (Max)	80 °C
T-Storage (Min)	-25 °C
T-Case Lifetime (Nom)	85 °C
T-Case Maximum (Max)	85 °C
Mechanical and Housing	
Housing	/S
Approval and Application	
Active Temperature Protection	Yes
Approval Marks	F-Marking CE marking ENEC certificate

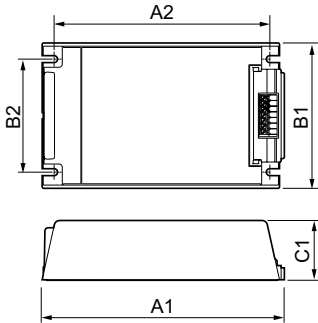
HID-CertaVision for CDM

Product Data

Full product code	694793917414000
Order product name	HID-CV 150 /S CDM 220-240 50/60Hz
EAN/UPC - Product	6947939174140
Order code	913712003813
Numerator - Quantity Per Pack	1

Numerator - Packs per outer box	12
Material Nr. (12NC)	913712003813
Net Weight (Piece)	0.444 kg

Dimensional drawing



HID-CV 150 /S CDM 220-240V 50/60Hz

Product	C1	A1	A2	B1	B2	B3
HID-CV 150 /S CDM 220-240 50/60Hz	38.0 mm	150.0 mm	133.6 mm	90.0 mm	70.0 mm	4.3 mm

