



# HF-Performer III for TL5 lamps

## HF-P 1 14-35 TL5 HE III 220-240V

HF-Performer III TL5 is a sustainable, slim and high-frequency electronic ballast for TL5 and TL5 Eco fluorescent lamps. It is ideal for applications where high energy efficiency is required. The HF-Performer III range has a robust design, meets all relevant international safety and performance standards and is energy-efficient (CELMA EEI A2 BAT).

### Product data

| General Information                            |                  |
|--|------------------|
| Application code                               | III              |
| Type version                                   | IDC              |
| Lamp type                                      | TL5 HE           |
| Number of lamps                                | 1 piece/unit     |
| Number of products on MCB (16 A type B) (nom.) | 28               |
| Automatic restart                              | Yes              |
| Operating and Electrical                       |                  |
| Input voltage                                  | 220 to 240 V     |
| Input frequency                                | 50 to 60 Hz      |
| Operating frequency (nom.)                     | 45 kHz           |
| Ignition method                                | Programmed Start |
| Crest factor (max.)                            | 1.7              |
| Power factor 100% load (nom.)                  | 0.99             |
| Ignition time (max.)                           | 0.9 s            |
| Mains voltage performance (AC)                 | -8%+6%           |
| Mains voltage safety (AC)                      | -10%+10%         |
| Earth leakage current (nom.)                   | 0.5 mA           |

| Inrush current width                      | 0.25 ms  |
|---|--|
| Constant wattage deviation                | -2%/+2%  |
| Ballast factor (nom.)                     | 1.07   |
| Power losses (nom.)                       | 2.0-3.0 W  |
| Inrush current peak (max.)                | 24 A   |
| Wiring                                    |  |
| Connector type input terminals            | WAGO 251 universal connector [ Suitable for both automatic wiring (ALF and ADS) and manual wiring] |
| Cable capacity output wires mutual (nom.) | 200 pF   |
| Connector type output terminals           | WAGO 251 universal connector [ Suitable for both automatic wiring (ALF and ADS) and manual wiring] |
| Cable length hot-wiring                   | 0.75 m   |
| Wire strip length                         | 8.0-9.0 mm   |
| Dual fixture master/slave                 | Not applicable [ Master/Slave oper. not applicable]  |
| Input terminal cross section              | 0.50-1.00 mm <sup>2</sup>  |
| Output terminal cross section             | 0.50-1.00 mm <sup>2</sup>  |

## HF-Performer III for TL5 lamps

|   |        |
|---|--------|
| Cable capacity output wires to earth (nom.) | 200 pF |
|---|--------|

### System characteristics

|                            |             |
|----------------------------|-------------|
| Rated ballast-lamp power   | 14-35 W     |
| Rated lamp power on TL5 HE | 14/35 W     |
| System power on TL5 HE     | 16.0/39.5 W |
| Lamp power on TL5 HE       | 14.0/36.5 W |
| Power loss on TL5 HE       | 2.0/3.0 W   |

### Temperature

|                        |        |
|------------------------|--------|
| T ambient (max.)       | 60 °C  |
| T ambient (min.)       | -25 °C |
| T storage (max.)       | 80 °C  |
| T storage (min.)       | -40 °C |
| T case lifetime (nom.) | 80 °C  |
| T-Case maximum (max.)  | 80 °C  |
| T-Ignition (max.)      | 50 °C  |
| T-Ignition (min.)      | -25 °C |

### Mechanical and Housing

|         |            |
|---------|------------|
| Housing | L360x30x22 |
|---------|------------|

### Emergency Operation

|  |              |
|--|--------------|
| Nominal light output after 60 seconds        | 100% of EBLF |
| Battery voltage lamp ignition                | 186-275 V    |
| Normal operating voltage (DC)                | 220-240 V    |
| Battery voltage lamp operation               | 186-275      |
| Battery voltage guaranteed operation         | 176-275 V    |
| Battery voltage guaranteed ignition          | 186-275 V    |
| Emergency ballast lumen factor (EBLF) (nom.) | 100 %        |
| Nominal light output after 5 seconds         | 50% of EBLF  |

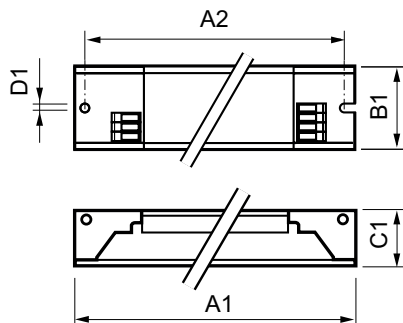
### Approval and Application

|                                    |   |
|------------------------------------|---|
| Energy efficiency index            | A2 BAT  |
| IP classification                  | IP 20 [ Ingress Protection 20]                  |
| EMI 9 kHz... 30 MHz                | EN55015   |
| EMI 30 MHz... 1,000 MHz            | -   |
| Safety standard                    | IEC 61347-2-3                                   |
| Performance standard               | IEC 60929                                       |
| Quality standard                   | ISO 9000:2000                                   |
| Environmental standard             | ISO 14001                                       |
| Harmonic current emission standard | IEC 61000-3-2                                   |
| EMC immunity standard              | IEC 61547                                       |
| Vibration standard                 | IEC68-2-6 F c                                   |
| Bumps standard                     | IEC 68-2-29 Eb                                  |
| Humidity standard                  | EN 61347-2-3 clause 11                          |
| Approval marks                     | CE marking ENEC certificate VDE-EMV certificate |
| Temperature marking                | Yes   |
| Emergency standard                 | IEC 60598-2-22                                  |
| Humming and noise level            | < 30 dB(A)                                      |

### Product Data

|                                 |                                 |
|---------------------------------|---------------------------------|
| Full product code               | 872790090504500                 |
| Order product name              | HF-P 114-35 TL5 HE III 220-240V |
| EAN/UPC – product               | 8711500999245                   |
| Order code                      | 913713031066                    |
| Numerator – quantity per pack   | 1                               |
| Numerator – packs per outer box | 12                              |
| Material no. (12NC)             | 913713031066                    |
| Net weight (piece)              | 0.220 kg                        |

## Dimensional drawing



HF-P 114-35 TL5 HE III 220-240V

| Product                         | D1     | C1      | A1       | A2       | B1      |
|---------------------------------|--------|---------|----------|----------|---------|
| HF-P 114-35 TL5 HE III 220-240V | 4.2 mm | 22.0 mm | 360.0 mm | 350.0 mm | 30.0 mm |

## HF-Performer III for TL5 lamps

