



HF-Selectalume II for TL-D lamps

HF-S 118/136 TL-D II 220-240V 50/60Hz

HF-Selectalume II is the most cost-effective, reliable, slim and affordable fluorescent solution, with highly disruptive technology for energy saving, system flexibility and unsurpassed performance. The cost-saving HF-Selectalume II has a robust design which meets all relevant international safety and performance standards. HF-Selectalume II is intended for use with indoor lighting fixtures such as spotlights, downlights and recessed luminaires, which are largely used in office, retail, industry, hotel, restaurant and other applications where control devices are installed with occasional On/Off switching activity

Product data

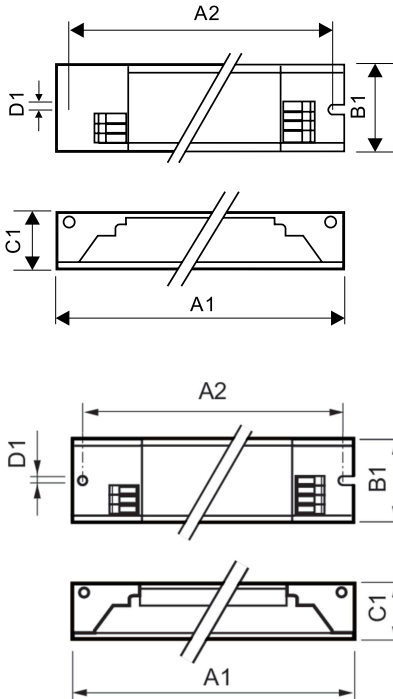
Operating and Electrical		T-Case Lifetime (Nom)	75 °C
Input Voltage	220 to 240 V	T-Case Maximum (Max)	75 °C
Line Frequency	50 to 60 Hz	Mechanical and Housing	
Input Frequency	50 to 60 Hz	Housing	L 280x30x28
Earth Leakage Current (Max)	0.5 mA	Approval and Application	
Inrush Current Width	0.35 ms	Ingress protection code	IP20 [Finger-protected]
Inrush Current Peak (Max)	18 A	Energy Efficiency Index	A2 BAT
Number of Products on MCB (16A Type B) (Nom)	28	Approval Marks	F-Marking CE marking ENEC certificate CCC certificate C-Tick certificate PSB certification TISI marking SIRIM approval CB Certificate CCC certificate VDE-EMV certificate
Wiring		Product Data	
Connector Type Input Terminals	WAGO 744 connector	Order product name	HF-S 118/136 TL-D II 220-240V 50/60Hz
Connector Type Output Terminals	WAGO 744 connector [Suitable for manual wiring]	Full product name	HF-S 118/136 TL-D II 220-240V 50/60Hz
Temperature			
Ambient temperature range	-20 °C to 55 °C		

HF-Selectalume II for TL-D lamps

Full product code	872790090551900
Order code	913713032166
Material Nr. (12NC)	913713032166
Numerator - Quantity Per Pack	1
EAN/UPC - Product/Case	8711500999290

Numerator - Packs per outer box	12
EAN/UPC - Case	8727900905519

Dimensional drawing



Product

HF-S 118/136 TL-D II 220-240V 50/60Hz

Product	A1	B1	C1	A2	B2	D1
HF-S 118/136 TL-D II 220-240V 50/60Hz	280 mm	30 mm	28 mm	265 mm		4.2 mm

