



HF-Selectalume II for TL-D lamps

HF-S 218 TL-D II 220-240V 50/60Hz

HF-Selectalume II TL-D is the most cost-effective, reliable and outstanding solution for fluorescent lamps. These ballasts are part of an overall high-efficiency lighting system that may help you or your customers to achieve any international or local energy code you need to comply with. HF-Selectalume II TL-D ballasts are the ideal choice for a broad range of new construction and retrofit applications within the commercial sector, including general surface mounting or office lighting, parking garages, warehouses, waterproof and other applications.

Product data

General Information		Ballast factor (nom.)	
Application code	II		1.06
Type version	mk1	Power losses (nom.)	5.5 W
Lamp type	TL-D	Inrush current peak (max.)	20 A
Number of lamps	2 piece/unit	Wiring	
Automatic restart	Yes	Connector type input terminals	WAGO 744 connector
Operating and Electrical		Cable capacity output wires mutual (max.)	200 pF
Input voltage	220 to 240 V	Connector type output terminals	WAGO 744 connector [Suitable for manual wiring]
Input frequency	50 to 60 Hz	Cable length hot-wiring	0.75 m
Operating frequency (nom.)	40-60 kHz	Wire strip length	8.0-9.0 mm
Crest factor (nom.)	1.7	Dual fixture master/slave	Possible, lamp wires 2m max. length [Master/Slave operation possible]
Power factor 100% load (nom.)	0.97	Input terminal cross section	0.50-1.50 mm ²
Preheat time	1.21 s	Output terminal cross section	0.50-1.50 mm ²
Mains voltage performance (AC)	202-254V-8%-+6%	Cable capacity cold output wires – earth (max.)	200 pF
Mains voltage safety (AC)	198-264V-10%-+10%		
Earth leakage current (max.)	0.5 mA		
Inrush current width	0.25 ms		

HF-Selectalume II for TL-D lamps

Cable capacity hot output wires – earth (max.)	200 pF
--	--------

System characteristics

Rated ballast-lamp power	18 W
Rated lamp power on TL-D	18 W
System power on TL-D	38.1 W
Lamp power on TL-D	32.6 W
Power loss on TL-D	5.5 W

Temperature

T ambient (max.)	50 °C
T ambient (min.)	-15 °C
T storage (max.)	80 °C
T storage (min.)	-40 °C
T case lifetime (nom.)	75 °C
T-Case maximum (max.)	75 °C

Mechanical and Housing

Housing	L 280x30x28
---------	-------------

Emergency Operation

Nominal light output after 60 seconds	100% of EBLF
Normal operating voltage (DC)	220-240 V
Battery voltage guaranteed operation	176-275 V
Battery voltage guaranteed ignition	186-275 V
Emergency ballast lumen factor (EBLF) (nom.)	0.7 %

Nominal light output after 5 seconds	50% of EBLF
--------------------------------------	-------------

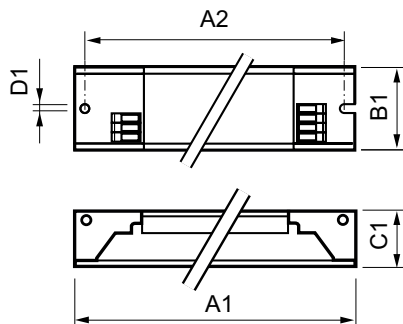
Approval and Application

Energy efficiency index	A2
IP classification	IP 20 [Ingress Protection 20]
EMI 9 kHz... 30 MHz	EN55015
Vibration standard	IEC68-2-6 F c
Bumps standard	IEC 68-2-29 Eb (10G/16ms)
Approval marks	F-Marking CE marking ENEC certificate CCC certificate C-Tick certificate PSB certification TISI marking SIRIM approval CB Certificate CCC certificate VDE-EMV certificate
Humming and noise level	< 30 dB(A)

Product Data

Full product code	872790090552600
Order product name	HF-S 218 TL-D II 220-240V 50/60Hz
EAN/UPC – product	8711500999306
Order code	90552600
Numerator – quantity per pack	1
Numerator – packs per outer box	12
Material no. (12NC)	913713032366
Net weight (piece)	0.200 kg

Dimensional drawing



HF-S 218 TL-D II 220-240V 50/60Hz

Product	A1	B1	C1	A2	B2	D1
HF-S 218 TL-D II 220-240V 50/60Hz	280 mm	30 mm	28 mm	265 mm		4.2 mm

HF-Selectalume II for TL-D lamps

