

HF-Selectalume II for TL-D lamps

HF-S 218/236 TL-D II 220-240V 50/60Hz

HF-Selectalume II TL-D is the most cost-effective, reliable and outstanding solution for fluorescent lamps. These ballasts are part of an overall high-efficiency lighting system that may help you or your customers to achieve any international or local energy code you need to comply with. HF-Selectalume II TL-D ballasts are the ideal choice for a broad range of new construction and retrofit applications within the commercial sector, including general surface mounting or office lighting, parking garages, warehouses, waterproof and other applications.

Product data

General Information		Earth leakage current (max.)	
Application code	II		0.5 mA
Type version	mk1	Inrush current width	0.35 ms
Lamp type	TL-D	Ballast factor (nom.)	1.01
Number of lamps	2 piece/unit	Power losses (nom.)	4.6 W
Number of products on MCB (16 A type B) (nom.)	28	Inrush current peak (max.)	18 A
Automatic restart	Yes	Wiring	
Operating and Electrical		Connector type input terminals	WAGO 744 connector
Input voltage	220 to 240 V	Cable capacity output wires mutual (max.)	200 pF
Input frequency	50 to 60 Hz	Connector type output terminals	WAGO 744 connector [Suitable for manual wiring]
Operating frequency (nom.)	45 kHz	Cable length hot-wiring	0.75 m
Crest factor (nom.)	1.7	Wire strip length	8.0-9.0 mm
Power factor 100% load (nom.)	0.98	Dual fixture master/slave	Possible, lamp wires 2m max. length [Master/Slave operation possible]
Preheat time	1.6 s	Input terminal cross section	0.50-1.50 mm ²
Mains voltage performance (AC)	202-254V-8%--+6%	Output terminal cross section	0.50-1.50 mm ²
Mains voltage safety (AC)	198-264V-10%--+10%		

HF-Selectalume II for TL-D lamps

Cable capacity cold output wires – earth (max.)	200 pF
Cable capacity hot output wires – earth (max.)	200 pF

System characteristics

Rated ballast-lamp power	36/18 W
Rated lamp power on TL-D	36/18 W
System power on TL-D	70.4/37.7 W
Lamp power on TL-D	63.9/32.9 W
Power loss on TL-D	6.5/4.8 W
Rated lamp power on PL-L	36 W
System power on PL-L	66.7 W
Lamp power on PL-L	61.2 W
Power loss on PL-L	5.5 W

Temperature

T ambient (max.)	55 °C
T ambient (min.)	-20 °C
T storage (max.)	80 °C
T storage (min.)	-40 °C
T case lifetime (nom.)	75 °C
T-Case maximum (max.)	75 °C

Mechanical and Housing

Housing	L 280x30x28
---------	-------------

Emergency Operation

Nominal light output after 60 seconds	100% of EBLF
Normal operating voltage (DC)	220-240 V

Battery voltage guaranteed operation	176-275 V
Battery voltage guaranteed ignition	186-275 V
Emergency ballast lumen factor (EBLF) (nom.)	100 %
Nominal light output after 5 seconds	50% of EBLF

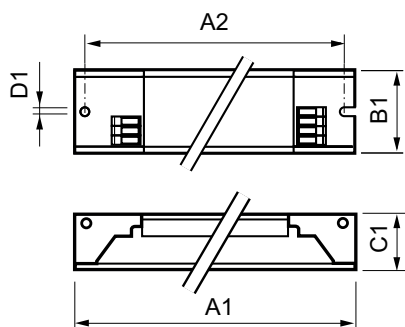
Approval and Application

Energy efficiency index	A2 BAT
IP classification	IP 20 [Ingress Protection 20]
EMI 9 kHz... 30 MHz	EN55015
Vibration standard	IEC68-2-6 F c
Bumps standard	IEC 68-2-29 Eb (10G/16ms)
Approval marks	F-Marking CE marking ENEC certificate CCC certificate C-Tick certificate PSB certification TISI marking SIRIM approval CB Certificate CCC certificate VDE-EMV certificate
Humming and noise level	< 30 dB(A)

Product Data

Full product code	872790090553300
Order product name	HF-S 218/236 TL-D II 220-240V 50/60Hz
EAN/UPC – product	8711500999313
Order code	90553300
Numerator – quantity per pack	1
Numerator – packs per outer box	12
Material no. (I2NC)	913713032466
Net weight (piece)	0.193 kg

Dimensional drawing



HF-S 218/236 TL-D II 220-240V 50/60Hz

Product	A1	B1	C1	A2	B2	D1
HF-S 218/236 TL-D II 220-240V 50/60Hz	280 mm	30 mm	28 mm	265 mm		4.2 mm

HF-Selectalume II for TL-D lamps

