

HF-Selectalume II for TL-D lamps

HF-S 218/236 TL-D II 220-240V 50/60Hz

HF-Selectalume II TL-D is the most cost-effective, reliable and outstanding solution for fluorescent lamps. These ballasts are part of an overall high-efficiency lighting system that may help you or your customers to achieve any international or local energy code you need to comply with. HF-Selectalume II TL-D ballasts are the ideal choice for a broad range of new construction and retrofit applications within the commercial sector, including general surface mounting or office lighting, parking garages, warehouses, waterproof and other applications. The ballast is primarily designed for Indoor application. For outdoor application, the luminaire should be minimum Classland need to be sufficiently protected against water & dust. The installation should also be guard against any lightening surge or any other necessary electrical protection as deemed in such typical installation & application.

Product data

General Information	
Application Code	II
Type Version	mk1
Lamp Type	TL-D
Number of Lamps	2 piece/unit
Number of Products on MCB (16A Type B) (Nom)	28
Automatic Restart	Yes
Operating and Electrical	
Input Voltage	220 to 240 V
Input Frequency	50 to 60 Hz
Operating Frequency (Nom)	45 kHz
Crestfactor (Nom)	1.7

Power Factor 100% Load (Nom)	0.98
Preheat Time	1.6 s
Mains Voltage Performance (AC)	202-254V-8%-+6%
Mains Voltage Safety (AC)	198-264V-10%-+10%
Earth Leakage Current (Max)	0.5 mA
Inrush Current Width	0.35 ms
Ballast Factor (Nom)	1.01
Power Losses (Nom)	4.6 W
Inrush Current Peak (Max)	18 A

Wiring	
Connector Type Input Terminals	WAGO 744 connector
Cable Capacity Output Wires Mutual (Max)	200 pF

HF-Selectalume II for TL-D lamps

Connector Type Output Terminals	WAGO 744 connector [Suitable for manual wiring]
Cable Length Hot Wiring	0.75 m
Wire Striplength	8.0-9.0 mm
Dual Fixture Master/Slave	Possible, lamp wires 2m max. length [Master/Slave operation possible]
Input Terminal Cross Section	0.50-1.50 mm ²
Output Terminal Cross Section	0.50-1.50 mm ²
Cable Capacity Cold Output Wires - Earth (Max)	200 pF
Cable Capacity Hot Output Wires - Earth (Max)	200 pF

System characteristics

Rated Ballast-Lamp Power	36/18 W
Rated Lamp Power on TL-D	36/18 W
System Power on TL-D	70.4/37.7 W
Lamp Power on TL-D	63.9/32.9 W
Power Loss on TL-D	6.5/4.8 W
Rated Lamp Power on PL-L	36 W
System Power on PL-L	66.7 W
Lamp Power on PL-L	61.2 W
Power Loss on PL-L	5.5 W

Temperature

T-Ambient (Max)	55 °C
T-Ambient (Min)	-20 °C
T-Storage (Max)	80 °C
T-Storage (Min)	-40 °C
T-Case Lifetime (Nom)	75 °C
T-Case Maximum (Max)	75 °C

Mechanical and Housing

Housing	L 280x30x28
---------	-------------

Emergency Operation

Nominal Light Output After 60 Seconds	100% of EBLF
Normal Operating Voltage (DC)	220-240 V
Battery Voltage Guaranteed Operation	176-275 V
Battery Voltage Guaranteed Ignition	186-275 V
Emergency Ballast Lumen Factor (EBLF) (Nom)	100 %
Nominal Light Output After 5 Seconds	50% of EBLF

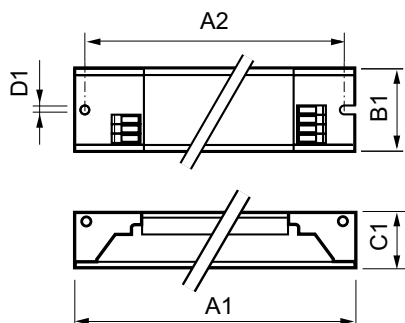
Approval and Application

Energy Efficiency Index	A2 BAT
IP Classification	IP 20 [Ingress Protection 20]
EMI 9 kHz ... 30 MHz	EN55015
Vibration Standard	IEC68-2-6 F c
Bumps Standard	IEC 68-2-29 Eb (10G/16ms)
Approval Marks	F-Marking CE marking ENEC certificate CCC certificate C-Tick certificate PSB certification TISI marking SIRIM approval CB Certificate CCC certificate VDE-EMV certificate
Hum And Noise Level	< 30 dB(A)

Product Data

Full product code	872790090553300
Order product name	HF-S 218/236 TL-D II 220-240V 50/60Hz
EAN/UPC - Product	8711500999313
Order code	913713032466
Numerator - Quantity Per Pack	1
Numerator - Packs per outer box	12
Material Nr. (12NC)	913713032466
Net Weight (Piece)	0.193 kg

Dimensional drawing



HF-S 218/236 TL-D II 220-240V 50/60Hz

Product	A1	B1	C1	A2	B2	D1
HF-S 218/236 TL-D II 220-240V 50/60Hz	280 mm	30 mm	28 mm	265 mm		4.2 mm

HF-Selectalume II for TL-D lamps

