

# HF-Selectalume II for TL-D lamps

## HF-S 336 TL-D II 220-240V 50/60Hz

HF-Selectalume II TL-D is the most cost-effective, reliable and outstanding solution for fluorescent lamps. These ballasts are part of an overall high-efficiency lighting system that may help you or your customers to achieve any international or local energy code you need to comply with. HF-Selectalume II TL-D ballasts are the ideal choice for a broad range of new construction and retrofit applications within the commercial sector, including general surface mounting or office lighting, parking garages, warehouses, waterproof and other applications.

### Product data

| General Information                          |                   | Earth Leakage Current (Max)              |  |
|--|-------------------|--|--|
| Application Code                             | II                |  | 0.5 mA   |
| Type Version                                 | mk1               | Inrush Current Width                     | 0.35 ms  |
| Lamp Type                                    | TL-D              | Ballast Factor (Nom)                     | 0.98   |
| Number of Lamps                              | 3 piece/unit      | Power Losses (Nom)                       | 8.6 W  |
| Number of Products on MCB (16A Type B) (Nom) | 12                | Inrush Current Peak (Max)                | 28 A   |
| Automatic Restart                            | Yes               | <b>Wiring</b>                            |  |
| <b>Operating and Electrical</b>              |                   | Connector Type Input Terminals           | WAGO 744 connector   |
| Input Voltage                                | 220 to 240 V      | Cable Capacity Output Wires Mutual (Max) | 50 pF  |
| Input Frequency                              | 50 to 60 Hz       | Connector Type Output Terminals          | WAGO 744 connector [ Suitable for manual wiring]                       |
| Operating Frequency (Nom)                    | 40-60 kHz         | Cable Length Hot Wiring                  | 0.5 m  |
| Crestfactor (Nom)                            | 1.7               | Wire Striplength                         | 8.0-9.0 mm   |
| Power Factor 100% Load (Nom)                 | 0.98              | Dual Fixture Master/Slave                | Possible, lamp wires 2m max. length [ Master/Slave operation possible] |
| Preheat Time                                 | 1.2 s             | Input Terminal Cross Section             | 0.50-1.50 mm <sup>2</sup>  |
| Mains Voltage Performance (AC)               | 202-254V-8%-+6%   | Output Terminal Cross Section            | 0.50-1.50 mm <sup>2</sup>  |
| Mains Voltage Safety (AC)                    | 198-264V-10%-+10% |  |  |

## HF-Selectalume II for TL-D lamps

|  |        |
|--|--------|
| Cable Capacity Cold Output Wires - Earth (Max) | 200 pF |
| Cable Capacity Hot Output Wires - Earth (Max)  | 50 pF  |

### System characteristics

|                          |       |
|--------------------------|-------|
| Rated Ballast-Lamp Power | 36 W  |
| Rated Lamp Power on TL-D | 36 W  |
| System Power on TL-D     | 102 W |
| Lamp Power on TL-D       | 95 W  |
| Power Loss on TL-D       | 7 W   |

### Temperature

|                       |        |
|-----------------------|--------|
| T-Ambient (Max)       | 50 °C  |
| T-Ambient (Min)       | -15 °C |
| T-Storage (Max)       | 80 °C  |
| T-Storage (Min)       | -40 °C |
| T-Case Lifetime (Nom) | 75 °C  |
| T-Case Maximum (Max)  | 75 °C  |

### Mechanical and Housing

|         |             |
|---------|-------------|
| Housing | L 280x39x28 |
|---------|-------------|

### Emergency Operation

|                                       |              |
|---------------------------------------|--------------|
| Nominal Light Output After 60 Seconds | 100% of EBLF |
| Normal Operating Voltage (DC)         | 220-240 V    |
| Battery Voltage Guaranteed Operation  | 176-275 V    |
| Battery Voltage Guaranteed Ignition   | 186-275 V    |

|   |             |
|---|-------------|
| Emergency Ballast Lumen Factor (EBLF) (Nom) | 100 %       |
| Nominal Light Output After 5 Seconds        | 50% of EBLF |

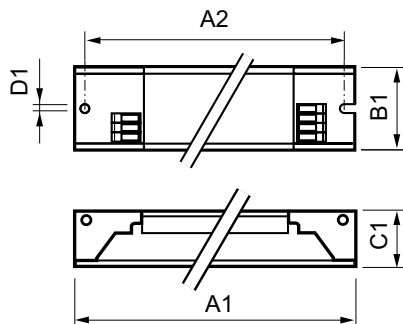
### Approval and Application

|                         |   |
|-------------------------|---|
| Energy Efficiency Index | A2  |
| IP Classification       | IP 20 [ Ingress Protection 20]  |
| EMI 9 kHz ... 30 MHz    | EN55015   |
| Vibration Standard      | IEC68-2-6 F c   |
| Bumps Standard          | IEC 68-2-29 Eb (10G/16ms)   |
| Approval Marks          | F-Marking CE marking ENEC certificate<br>CCC certificate C-Tick certificate PSB<br>certification TISI marking SIRIM approval<br>CB Certificate CCC certificate VDE-EMV<br>certificate |
| Hum And Noise Level     | < 30 dB(A)  |

### Product Data

|                                 |                                   |
|---------------------------------|-----------------------------------|
| Full product code               | 872790089747000                   |
| Order product name              | HF-S 336 TL-D II 220-240V 50/60Hz |
| EAN/UPC - Product               | 8711500999092                     |
| Order code                      | 89747000                          |
| Numerator - Quantity Per Pack   | 1                                 |
| Numerator - Packs per outer box | 10                                |
| Material Nr. (12NC)             | 913713032766                      |
| Net Weight (Piece)              | 0.255 kg                          |

## Dimensional drawing



HF-S 336 TL-D II 220-240V 50/60Hz

| Product                           | A1     | B1    | C1      | A2     | B2 | D1     |
|-----------------------------------|--------|-------|---------|--------|----|--------|
| HF-S 336 TL-D II 220-240V 50/60Hz | 280 mm | 39 mm | 28.5 mm | 265 mm |    | 4.2 mm |

## HF-Selectalume II for TL-D lamps

