



HF-Selectalume II for TL5 lamps

HF-S 149 TL5 II 220-240V 50/60Hz

HF-Selectalume II TL5 is the most cost-effective, reliable and outstanding solution for fluorescent lamps. These ballasts are part of an overall high-efficiency lighting system that may help you or your customers to achieve any international or local energy code you need to comply with. HF-Selectalume II TL5 ballasts are the ideal choice for a broad range of new construction and retrofit applications within the commercial sector, including general surface mounting or office lighting, parking garages, warehouses, waterproof and other applications.

Product data

| General Information | |
|--------------------------------|-------------------|
| Application Code | II |
| Type Version | mk1 |
| Lamp Type | TL5 |
| Number of Lamps | 1 piece/unit |
| Automatic Restart | Yes |
| Operating and Electrical | |
| Input Voltage | 220 to 240 V |
| Input Frequency | 50 to 60 Hz |
| Operating Frequency (Nom) | 40-60 kHz |
| Crestfactor (Nom) | 1.7 |
| Power Factor 100% Load (Nom) | 0.97 |
| Preheat Time | 1.21 s |
| Mains Voltage Performance (AC) | 202-254V-8%-+6% |
| Mains Voltage Safety (AC) | 198-264V-10%-+10% |
| Earth Leakage Current (Max) | 0.5 mA |
| Inrush Current Width | 0.25 ms |

| Ballast Factor (Nom) | 1.05 |
|--|--|
| Power Losses (Nom) | 4.2 W |
| Inrush Current Peak (Max) | 20 A |
| Wiring | |
| Connector Type Input Terminals | WAGO 744 connector |
| Cable Capacity Output Wires Mutual (Max) | 200 pF |
| Connector Type Output Terminals | WAGO 744 connector [Suitable for manual wiring] |
| Cable Length Hot Wiring | 0.75 m |
| Wire Striplength | 8.0-9.0 mm |
| Dual Fixture Master/Slave | Possible, lamp wires 2m max. length [Master/Slave operation possible] |
| Input Terminal Cross Section | 0.50-1.50 mm ² |
| Output Terminal Cross Section | 0.50-1.50 mm ² |
| Cable Capacity Cold Output Wires - Earth (Max) | 200 pF |

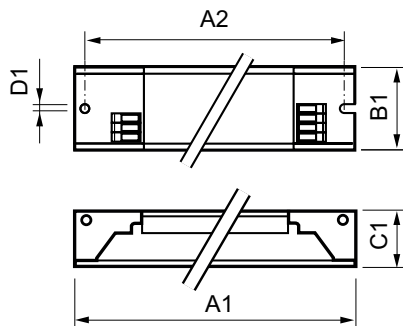
HF-Selectalume II for TL5 lamps

| | |
|---|--------------|
| Cable Capacity Hot Output Wires - Earth (Max) | 200 pF |
| System characteristics | |
| Rated Ballast-Lamp Power | 49 W |
| Rated Lamp Power on TL5 | 49 W |
| System Power on TL5 | 55.2 W |
| Lamp Power on TL5 | 51 W |
| Power Loss on TL5 | 4.2 W |
| Temperature | |
| T-Ambient (Max) | 50 °C |
| T-Ambient (Min) | -15 °C |
| T-Storage (Max) | 80 °C |
| T-Storage (Min) | -40 °C |
| T-Case Lifetime (Nom) | 75 °C |
| T-Case Maximum (Max) | 75 °C |
| Mechanical and Housing | |
| Housing | L 280x30x21 |
| Emergency Operation | |
| Nominal Light Output After 60 Seconds | 100% of EBLF |
| Normal Operating Voltage (DC) | 220-240 V |
| Battery Voltage Guaranteed Operation | 176-275 V |
| Battery Voltage Guaranteed Ignition | 186-275 V |
| Emergency Ballast Lumen Factor (EBLF) (Nom) | 100 % |

| | |
|--------------------------------------|---|
| Nominal Light Output After 5 Seconds | 50% of EBLF |
| Approval and Application | |
| Energy Efficiency Index | A2 BAT |
| IP Classification | IP 20 [Ingress Protection 20] |
| EMI 9 kHz ... 30 MHz | EN55015 |
| Vibration Standard | IEC68-2-6 F c |
| Bumps Standard | IEC 68-2-29 Eb (10G/16ms) |
| Approval Marks | F-Marking CE marking ENEC certificate CCC certificate C-Tick certificate PSB certification TISI marking SIRIM approval CB Certificate CCC certificate VDE-EMV certificate |
| Hum And Noise Level | < 30 dB(A) |

| | |
|---------------------------------|----------------------------------|
| Product Data | |
| Full product code | 872790090558800 |
| Order product name | HF-S 149 TL5 II 220-240V 50/60Hz |
| EAN/UPC - Product | 8711500999351 |
| Order code | 90558800 |
| Numerator - Quantity Per Pack | 1 |
| Numerator - Packs per outer box | 12 |
| Material Nr. (12NC) | 913713033466 |
| Net Weight (Piece) | 0.185 kg |

Dimensional drawing



HF-S 149 TL5 II 220-240V 50/60Hz

| Product | A1 | B1 | C1 | A2 | B2 | D1 |
|-------------------------------------|--------|-------|-------|--------|----|--------|
| HF-S 149 TL5 II 220-240V 50/60Hz | 280 mm | 30 mm | 21 mm | 265 mm | | 4.2 mm |

HF-Selectalume II for TL5 lamps

