



HF-Performer III for TL5 lamps

HF-P 3/414 TL5 III 220-240V 50/60Hz

HF-Performer III TL5 is a sustainable, slim and high-frequency electronic ballast for TL5 and TL5 Eco fluorescent lamps. It is ideal for applications where high energy efficiency is required. The HF-Performer III range has a robust design, meets all relevant international safety and performance standards and is energy-efficient (CELMA EEI A2 BAT).

Product data

| General Information | |
|------------------------------------------------|------------------|
| Application code | III |
| Type version | IDC |
| Lamp type | TL5 |
| Number of lamps | 3/4 piece/unit |
| Number of products on MCB (16 A type B) (nom.) | 28 |
| Automatic restart | Yes |
| Operating and Electrical | |
| Input voltage | 220 to 240 V |
| Input frequency | 50 to 60 Hz |
| Operating frequency (nom.) | 46 kHz |
| Ignition method | Programmed Start |
| Crest factor (max.) | 1.7 |
| Power factor 100% load (nom.) | 0.99 |
| Preheat time | 0.5 s |
| Ignition time (max.) | 0.9 s |
| Mains voltage performance (AC) | -8% - +6% |
| Mains voltage safety (AC) | -10% - +10% |

| Earth leakage current (nom.) | 0.5 mA |
|-------------------------------------------|----------------------------------------------------------------------------------------------------|
| Inrush current width | 0.25 ms |
| Constant wattage deviation | -2%/+2% |
| Ballast factor (nom.) | 1.0 |
| Power losses (nom.) | 3.5-5.0 W |
| Inrush current peak (max.) | 24 A |
| Wiring | |
| Connector type input terminals | WAGO 251 universal connector [Suitable for both automatic wiring (ALF and ADS) and manual wiring] |
| Cable capacity output wires mutual (nom.) | 200 pF |
| Connector type output terminals | WAGO 251 universal connector [Suitable for both automatic wiring (ALF and ADS) and manual wiring] |
| Cable length hot-wiring | 0.75 m |
| Wire strip length | 8.0-9.0 mm |
| Dual fixture master/slave | Not applicable [Master/Slave oper. not applicable] |
| Input terminal cross section | 0.50-1.50 mm ² |

HF-Performer III for TL5 lamps

| | |
|---------------------------------------------|---------------------------|
| Output terminal cross section | 0.50-1.50 mm ² |
| Cable capacity output wires to earth (nom.) | 200 pF |

System characteristics

| | |
|--------------------------|----------------------------|
| Rated ballast-lamp power | 14 W |
| Rated lamp power on TL5 | 14 W |
| System power on TL5 | 45W@3x14 W; 61W@4x14 W |
| Lamp power on TL5 | 41.5W@3x14 W; 56W@4x14 W |
| Power loss on TL5 | 3.5W@3x14 W; 5W@4x14 W |
| System power on TL5 ECO | 41.5W@3x14 W; 54.5W@4x14 W |
| Lamp power on TL5 ECO | 38W@3x14 W; 50.5W@4x14 W |
| Power loss on TL5 ECO | 3.5W@3x14 W; 4W@4x14 W |

Temperature

| | |
|------------------------|--------|
| T ambient (max.) | 60 °C |
| T ambient (min.) | -25 °C |
| T storage (max.) | 50 °C |
| T storage (min.) | -40 °C |
| T case lifetime (nom.) | 80 °C |
| T-Case maximum (max.) | 80 °C |
| T-Ignition (max.) | 60 °C |
| T-Ignition (min.) | -25 °C |

Mechanical and Housing

| | |
|---------|-------------|
| Housing | L 280x40x21 |
|---------|-------------|

Emergency Operation

| | |
|----------------------------------------------|--------------|
| Nominal light output after 60 seconds | 100% of EBLF |
| Battery voltage lamp ignition | 176-275 V |
| Normal operating voltage (DC) | 220-240 V |
| Battery voltage lamp operation | 186-275 |
| Battery voltage guaranteed operation | 176-275 V |
| Battery voltage guaranteed ignition | 186-275 V |
| Emergency ballast lumen factor (EBLF) (nom.) | 100 % |

| | |
|--------------------------------------|-------------|
| Nominal light output after 5 seconds | 50% of EBLF |
|--------------------------------------|-------------|

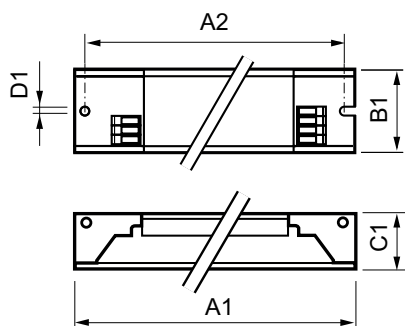
Approval and Application

| | |
|------------------------------------|-------------------------------------------------|
| Energy efficiency index | A2 BAT |
| IP classification | IP 20 [Ingress Protection 20] |
| EMI 9 kHz... 30 MHz | EN55015 |
| EMI 30 MHz... 1,000 MHz | EN55022 level B |
| Safety standard | IEC 61347-2-3 |
| Performance standard | IEC 60929 |
| Quality standard | ISO 9000:2000 |
| Environmental standard | ISO 14001 |
| Harmonic current emission standard | IEC 61000-3-2 |
| EMC immunity standard | IEC 61547 |
| Vibration standard | IEC68-2-6 F c |
| Bumps standard | IEC 68-2-29 Eb |
| Humidity standard | EN 61347-2-3 clause 11 |
| Approval marks | CE marking ENEC certificate VDE-EMV certificate |
| Temperature marking | Yes |
| Emergency standard | IEC 60598-2-22 |
| Humming and noise level | < 30 dB(A) |

Product Data

| | |
|---------------------------------|------------------------------------------|
| Full product code | 871829172125300 |
| Order product name | HF-P 3/4 14 TL5 III 220-240V 50/60Hz IDC |
| EAN/UPC – product | 8718291721253 |
| Order code | 72125300 |
| Local Code | HFP3/414TL5III |
| Numerator – quantity per pack | 1 |
| Numerator – packs per outer box | 10 |
| Material no. (12NC) | 913713033966 |
| Net weight (piece) | 0.195 kg |

Dimensional drawing



HF-P 3/4 14 TL5 III 220-240V 50/60Hz IDC

| Product | D1 | C1 | A1 | A2 | B1 |
|---------------------------------------------|--------|---------|----------|----------|---------|
| HF-P 3/4 14 TL5 III 220-240V 50/60Hz IDC | 4.2 mm | 21.0 mm | 280.0 mm | 265.0 mm | 39.0 mm |

HF-Performer III for TL5 lamps

