



HF-Performer III for TL5 lamps

HF-P 1 24/39 TL5 HO III 220-240V 50/60Hz

HF-Performer III TL5 ballasts offer maximum versatility and meet all of the necessary commercial grade specifications. They also offer the added benefits of lamp striation reduction technology, making these ballasts compatible with energy-saving TL5 ECO lamps. As such, these ballasts are part of an overall high-efficiency lighting system that may help you or your customers to achieve any international or local energy code you need to comply with. HF-Performer III TL5 ballasts are the ideal choice for a broad range of new construction and retrofit applications within the commercial sector, including general surface mounting or office lighting, parking garages, warehouses, waterproof and other applications.

Product data

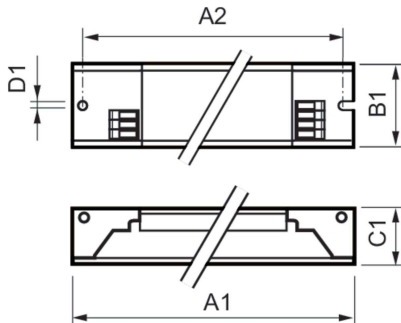
Operating and Electrical		Connector Type Output Terminals	
Input Voltage	220 to 240 V	Connector Type Output Terminals	WAGO 251 universal connector [Suitable for both automatic wiring (ALF and ADS) and manual wiring]
Line Frequency	50 to 60 Hz	Temperature	
Input Frequency	50 to 60 Hz	Ambient temperature range	-25 °C to 60 °C
Inrush Current Width	0.25 ms	T-Case Lifetime (Nom)	80 °C
Inrush Current Peak (Max)	18 A	T-Case Maximum (Max)	80 °C
Number of Products on MCB (16A Type B) (Nom)	28	Mechanical and Housing	
Wiring		Housing	L 360x30x21
Connector Type Input Terminals	WAGO 251 universal connector [Suitable for both automatic wiring (ALF and ADS) and manual wiring]	Approval and Application	
		Ingress protection code	IP20 [Finger-protected]
		Energy Efficiency Index	A2 BAT
		Safety Standard	IEC 61347-2-3

HF-Performer III for TL5 lamps

Environmental Standard	ISO 14001
Approval Marks	CE marking ENEC certificate VDE-EMV certificate
Product Data	
Order product name	HF-P 1 24/39 TL5 III 220-240V 50/60Hz
Full product name	HF-P 1 24/39 TL5 HO III 220-240V 50/60Hz
Full product code	872790095224700

Order code	95224700
Material Nr. (12NC)	913713034066
Numerator - Quantity Per Pack	1
EAN/UPC - Product/Case	8727900952247
Numerator - Packs per outer box	12
EAN/UPC - Case	8727900952254

Dimensional drawing



Product	D1	C1	A1	A2	B1
HF-P 1 24/39 TL5 III 220-240V 50/60Hz	4.2 mm	21.0 mm	360.0 mm	350.0 mm	30.0 mm

