



HF-Performer III for TL5 lamps

HF-P 1 24/39 TL5 III 220-240V 50/60Hz

HF-Performer III TL5 ballasts offer maximum versatility and meet all of the necessary commercial grade specifications. They also offer the added benefits of lamp striation reduction technology, making these ballasts compatible with energy-saving TL5 ECO lamps. As such, these ballasts are part of an overall high-efficiency lighting system that may help you or your customers to achieve any international or local energy code you need to comply with. HF-Performer III TL5 ballasts are the ideal choice for a broad range of new construction and retrofit applications within the commercial sector, including general surface mounting or office lighting, parking garages, warehouses, waterproof and other applications. The ballast is primarily designed for Indoor application. For outdoor application, the luminaire should be minimum Classland need to be sufficiently protected against water & dust. The installation should also be guard against any lightening surge or any other necessary electrical protection as deemed in such typical installation & application.

Product data

| General Information | | Operating and Electrical | |
|----------------------------------------------|--------------|--------------------------------|------------------|
| Application Code | III | Operating Frequency (Nom) | 45 kHz |
| Type Version | mk1 | Ignition Method | Programmed Start |
| Lamp Type | TL5/PL-L | Crestfactor (Max) | 1.7 |
| Number of Lamps | 1 piece/unit | Power Factor 100% Load (Nom) | 0.99 |
| Number of Products on MCB (16A Type B) (Nom) | 28 | Ignition Time (Max) | 0.9 s |
| Automatic Restart | Yes | Mains Voltage Performance (AC) | -8%+6% |
| | | Mains Voltage Safety (AC) | -10%+10% |
| | | Earth Leakage Current (Nom) | 0.5 mA |
| | | Inrush Current Width | 0.25 ms |
| | | Constant Wattage Deviation | -2%/+2% |
| | | Ballast Factor (Nom) | 1 |
| | | Power Losses (Nom) | 2.5-2.96 W |

HF-Performer III for TL5 lamps

| | |
|---------------------------|------|
| Inrush Current Peak (Max) | 18 A |
|---------------------------|------|

Wiring

| | |
|--------------------------------------------|----------------------------------------------------------------------------------------------------|
| Connector Type Input Terminals | WAGO 251 universal connector [Suitable for both automatic wiring (ALF and ADS) and manual wiring] |
| Cable Capacity Output Wires Mutual (Nom) | 200 pF |
| Connector Type Output Terminals | WAGO 251 universal connector [Suitable for both automatic wiring (ALF and ADS) and manual wiring] |
| Cable Length Hot Wiring | 0.75 m |
| Wire Striplength | 8.0-9.0 mm |
| Dual Fixture Master/Slave | Not applicable [Master/Slave oper. not applicable] |
| Input Terminal Cross Section | 0.50-1.00 mm ² |
| Output Terminal Cross Section | 0.50-1.00 mm ² |
| Cable Capacity Output Wires to Earth (Nom) | 200 pF |

System characteristics

| | |
|----------------------------|----------------------------|
| Rated Ballast-Lamp Power | 24/39 W |
| System Power on PL-L | 42.3W@40 W |
| Lamp Power on PL-L | 39.3W@40 W |
| Power Loss on PL-L | 2.96W@40 W |
| System Power on TL5 ECO | 23W@1x20 W; 35W@1x34 W; W |
| Lamp Power on TL5 ECO | 20.5W@1x20 W; 32.5W@1x34 W |
| Power Loss on TL5 HO | 2.5W@1x24 W; 2.5W@1x39 W |
| Lamp Power on TL5 HO | 25W@1x24 W; 35W@1x39 W |
| System Power on TL5 HO | 27.5W@1x24 W; 37.5W@1x39 W |
| Rated Lamp Power on TL5 HO | 24/39 W |
| Power Loss on TL5 ECO | 2.5W@1x20 W; 2.5W@1x34 W |

Temperature

| | |
|-----------------------|--------|
| T-Ambient (Max) | 60 °C |
| T-Ambient (Min) | -25 °C |
| T-Storage (Max) | 50 °C |
| T-Storage (Min) | -40 °C |
| T-Case Lifetime (Nom) | 80 °C |
| T-Case Maximum (Max) | 80 °C |
| T-Ignition (Max) | 60 °C |
| T-Ignition (Min) | -25 °C |

Mechanical and Housing

| | |
|---------|-------------|
| Housing | L 360x30x21 |
|---------|-------------|

Emergency Operation

| | |
|---------------------------------------------|--------------|
| Nominal Light Output After 60 Seconds | 100% of EBLF |
| Battery Voltage Lamp Ignition | 176-275 V |
| Normal Operating Voltage (DC) | 220-240 V |
| Battery Voltage Lamp Operation | 186-275 |
| Battery Voltage Guaranteed Operation | 176-275 V |
| Battery Voltage Guaranteed Ignition | 186-275 V |
| Emergency Ballast Lumen Factor (EBLF) (Nom) | 100 % |
| Nominal Light Output After 5 Seconds | 50% of EBLF |

Approval and Application

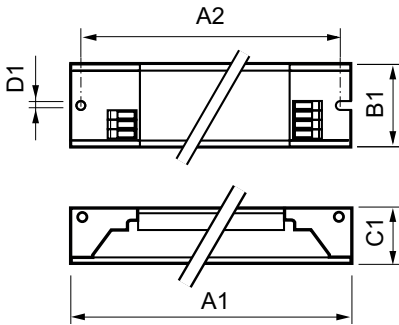
| | |
|------------------------------------|-------------------------------------------------|
| Energy Efficiency Index | A2 BAT |
| IP Classification | IP 20 [Ingress Protection 20] |
| EMI 9 kHz ... 30 MHz | EN55015 |
| EMI 30 MHz ... 1000 MHz | EN55022 level B |
| Safety Standard | IEC 61347-2-3 |
| Performance Standard | IEC 60929 |
| Quality Standard | ISO 9000:2000 |
| Environmental Standard | ISO 14001 |
| Harmonic Current Emission Standard | IEC 61000-3-2 |
| EMC Immunity Standard | IEC 61547 |
| Vibration Standard | IEC68-2-6 F c |
| Bumps Standard | IEC 68-2-29 Eb |
| Humidity Standard | EN 61347-2-3 clause 11 |
| Approval Marks | CE marking ENEC certificate VDE-EMV certificate |
| Temperature Marking | Yes |
| Emergency Standard | IEC 60598-2-22 |
| Hum And Noise Level | < 30 dB(A) |

Product Data

| | |
|---------------------------------|---------------------------------------|
| Full product code | 872790095224700 |
| Order product name | HF-P 1 24/39 TL5 III 220-240V 50/60Hz |
| EAN/UPC - Product | 8727900952247 |
| Order code | 913713034066 |
| Numerator - Quantity Per Pack | 1 |
| Numerator - Packs per outer box | 12 |
| Material Nr. (12NC) | 913713034066 |
| Net Weight (Piece) | 0.245 kg |

HF-Performer III for TL5 lamps

Dimensional drawing



HF-P 1 24/39 TL5 HO III 220-240V 50/60Hz

| Product | D1 | C1 | A1 | A2 | B1 |
|------------------------------------------|--------|---------|----------|----------|---------|
| HF-P 1 24/39 TL5 III 220-240V 50/60Hz | 4.2 mm | 21.0 mm | 360.0 mm | 350.0 mm | 30.0 mm |

