

# HF-Selectalume II for PL-T/C Strain Relief

## HF-S 1/218 PL-T/C II SR 220-240V 50/60Hz

HF-Selectalume II independent version is the most cost-effective, reliable, slim and affordable fluorescent solution, with highly disruptive technology for energy saving, system flexibility and unsurpassed performance. The cost-saving HF-Selectalume II PLTC SR has a robust design which meets all relevant international safety and performance standards. The HF-S II strain relief is optimized mainly for PL-T/C lamps. HF-Selectalume II is intended for use with indoor lighting fixtures such as spotlights, downlights and recessed luminaires, which are largely used in office, retail, industry, hotel, restaurant and other applications.

### Product data

General Information	
Application code	II SR
Type version	SR
Lamp type	PL-T/C
Number of lamps	2 piece/unit
Number of products on MCB (16 A type B) (nom.)	28
Automatic restart	Yes
Operating and Electrical	
Input voltage	220 to 240 V
Input frequency	50 to 60 Hz
Operating frequency (nom.)	45 kHz
Crest factor (nom.)	1.7
Power factor 100% load (nom.)	0.95
Preheat time	1.95 s
Mains voltage performance (AC)	202...254V

Mains voltage safety (AC)	198...264V
Earth leakage current (max.)	0.5 mA
Inrush current width	0.25 ms
Ballast factor (nom.)	1
Power losses (nom.)	1.17 W
Inrush current peak (max.)	18 A
Wiring	
Connector type input terminals	WAGO 250 connector [ Suitable for manual wiring]
Connector type output terminals	WAGO 250 connector [ Suitable for manual wiring]
Cable length hot-wiring	1 m
Wire strip length	8.5-9.5 mm
Dual fixture master/slave	- [ not specified]
Input terminal cross section	0.75-1.50 mm <sup>2</sup>
Output terminal cross section	0.75-1.50 mm <sup>2</sup>

## HF-Selectalume II for PL-T/C Strain Relief

Cable capacity cold output wires – earth (nom.)	100 pF
Cable capacity hot output wires – earth (nom.)	100 pF

### System characteristics

Rated ballast-lamp power	18 W
Rated lamp power on PL-T/C	2x18/18 W
System power on PL-T/C	34.39/18.39 W
Power loss on PL-T/C	2.59/2.19 W
Lamp power on PL-T/C	31.8/16.2 W

### Temperature

T ambient (max.)	50 °C
T ambient (min.)	-25 °C
T storage (max.)	80 °C
T storage (min.)	-40 °C
T case lifetime (nom.)	75 °C
T-Case maximum (max.)	75 °C

### Mechanical and Housing

Housing	L 125.5x67.8x32.0
---------	-------------------

### Emergency Operation

Nominal light output after 60 seconds	100% of EBLF
Normal operating voltage (DC)	220-240 V
Battery voltage guaranteed operation	176-275 V

Battery voltage guaranteed ignition	186-275 V
Emergency ballast lumen factor (EBLF) (nom.)	100 %
Nominal light output after 5 seconds	50% of EBLF

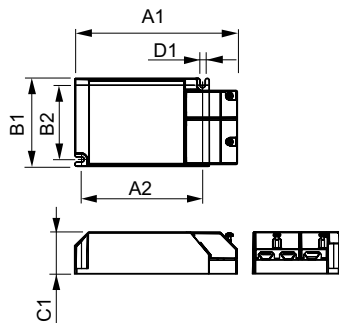
### Approval and Application

Energy efficiency index	A2 BAT
IP classification	IP 20 [ Ingress Protection 20]
EMI 9 kHz... 30 MHz	EN55015
Vibration standard	IEC60068-2-6 Test F c
Bumps standard	IEC 60068-2-29 test Eb
Humidity standard	IEC 61347-2-3
Approval marks	CE marking ENEC certificate VDE certificate VDE-EMC marking
Humming and noise level	30 dB(A)

### Product Data

Full product code	871829116963500
Order product name	HF-S 1/218 PL-T/C II SR 220-240V 50/60Hz
EAN/UPC – product	8718291169635
Order code	16963500
Numerator – quantity per pack	1
Numerator – packs per outer box	12
Material no. (12NC)	913713035866
Net weight (piece)	0.156 kg

## Dimensional drawing



HF-S 1/218 PL-T/C II SR 220-240V 50/60Hz

Product	D1	C1	A1	A2	B1	B2
HF-S 1/218 PL-T/C II SR	4.0 mm	32.0	125.5	93.5	67.8	57.5
220-240V 50/60Hz		mm	mm	mm	mm	mm

## HF-Selectalume II for PL-T/C Strain Relief

