



HF-Selectalume II for PL-T/C Strain Relief

HF-S 1/218 PL-T/C II SR 220-240V 50/60Hz

HF-Selectalume II is the most cost-effective, reliable, slim and affordable fluorescent solution, with highly disruptive technology for energy saving, system flexibility and unsurpassed performance. The cost-saving HF-Selectalume II has a robust design which meets all relevant international safety and performance standards. The HF-S II strain relief is optimized for PL-T/C lamps. HF-Selectalume II is intended for use with indoor lighting fixtures such as spotlights, downlights and recessed luminaires, which are largely used in office, retail, industry, hotel, restaurant and other applications where control devices are installed with occasional On/Off switching activity

Product data

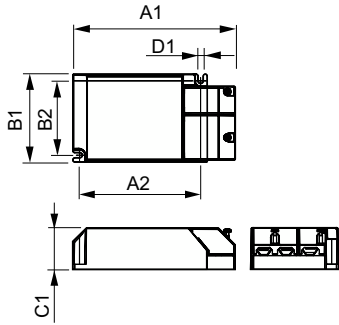
Operating and Electrical		Temperature	
Input Voltage	220 to 240 V	Ambient temperature range	-25°C to 50°C
Line Frequency	50 to 60 Hz	T-case lifetime (nom.)	75 °C
Input frequency	50 to 60 Hz	T-Case maximum (max.)	75 °C
Earth leakage current (max.)	0.5 mA	Mechanical and Housing	
Inrush current width	0.25 ms	Housing	L 125.5x67.8x32.0
Inrush current peak (max.)	18 A	Approval and Application	
Number of products on MCB (16 A type B) (nom.)	28	Ingress protection code	IP20 [Finger-protected]
Wiring		Energy efficiency index	A2 BAT
Connector type input terminals	WAGO 250 connector [Suitable for manual wiring]	Approval marks	CE marking ENEC certificate VDE certificate VDE-EMC marking
Connector type output terminals	WAGO 250 connector [Suitable for manual wiring]	Product Data	
		Order product name	HF-S 1/218 PL-T/C II SR 220-240V 50/60Hz

HF-Selectalume II for PL-T/C Strain Relief

Full product name	HF-S 1/218 PL-T/C II SR 220-240V 50/60Hz
Full EOC	871829116963500
Order code	16963500
Material no. (12 NC)	913713035866
Local order code	HFS218PLTCRII
SAP numerator – quantity per pack	1

EAN/UPC – Product/Case	8718291169635
Numerator – packs per outer box	12
EAN/UPC – Case	8718291169642

Dimensional drawing



Product	D1	C1	A1	A2	B1	B2
HF-S 1/218 PL-T/C II SR 220-240V 50/60Hz	4.0 mm	32.0 mm	125.5 mm	93.5 mm	67.8 mm	57.5 mm

