



# HF-Essential II for TL5/TL-D

## HF-E 1/2 58 TL-D II 220-240 50/60Hz

Essentially smart and reliable HF-Essential II is the most cost-effective solution for reliably operation of a fluorescent lamp. It is also the ideal entry-level product for electromagnetic system users who want to take advantage of the benefits provided by electronic ballasts. The cost-saving and reliable HF-Essential II is energy efficiency class A2, and its robust design meets all relevant international safety and performance standards. HF-Essential II is the ideal choice for a broad range of new construction and retrofit applications within the commercial sector, including general surface mounting and office lighting, parking garages, warehouses and other applications.

### Product data

General Information	
Lamp Type	TL-D II
Number of Lamps	1/2 piece/unit
Number of Products on MCB (16A Type B) (Nom)	20
Automatic Restart	Yes
Operating and Electrical	
Input Voltage	220 to 240 V
Input Frequency	50 to 60 Hz
Operating Frequency (Nom)	44.9 kHz
Crestfactor (Nom)	1.8
Power Factor 100% Load (Nom)	0.98
Preheat Time	1.7 s
Mains Voltage Performance (AC)	202-254V-8%-+6%
Mains Voltage Safety (AC)	198-264V-10%-+10%

Earth Leakage Current (Max)	0.5 mA
Inrush Current Width	0.3 ms
Ballast Factor (Nom)	1.04
Power Losses (Nom)	6.78/5.18 W
Inrush Current Peak (Max)	24 A
Wiring	
Connector Type Input Terminals	Insert
Cable Capacity Output Wires Mutual (Max)	200 pF
Connector Type Output Terminals	Insert
Cable Length Hot Wiring	0.75 m
Wire Striplength	8.0-9.0 mm
Dual Fixture Master/Slave	Possible, lamp wires 0.75m max. length [ Master/Slave operation possible]
Input Terminal Cross Section	0.50-1.50 mm <sup>2</sup>
Output Terminal Cross Section	0.50-1.50 mm <sup>2</sup>

## HF-Essential II for TL5/TL-D

Cable Capacity Cold Output Wires - Earth (Max)	200 pF
Cable Capacity Hot Output Wires - Earth (Max)	200 pF

### System characteristics

Rated Ballast-Lamp Power	58/55 W
Lamp Power on TL-D	49.1-48.42-54.42 W

### Temperature

T-Ambient (Max)	50 °C
T-Ambient (Min)	-10 °C
T-Storage (Max)	80 °C
T-Storage (Min)	-40 °C
T-Case Lifetime (Nom)	75 °C
T-Case Maximum (Max)	75 °C

### Mechanical and Housing

Housing	L 211x40x28.7
---------	---------------

### Emergency Operation

Nominal Light Output After 60 Seconds	100% of EBLF
Normal Operating Voltage (DC)	220-240 V
Battery Voltage Guaranteed Operation	176-275 V
Battery Voltage Guaranteed Ignition	186-275 V

Emergency Ballast Lumen Factor (EBLF) (Nom)	100 %
Nominal Light Output After 5 Seconds	50% of EBLF

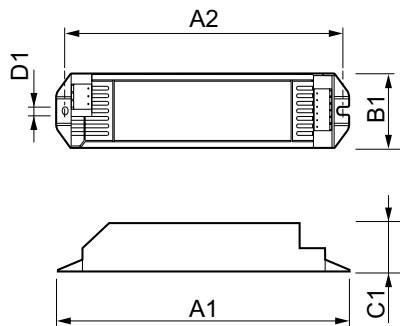
### Approval and Application

Energy Efficiency Index	A2
IP Classification	IP 20 [ Ingress Protection 20]
EMI 9 kHz ... 30 MHz	EN55015
Vibration Standard	IEC60068-2-6_2007-Fc
Bumps Standard	IEC 60068-2-29:1993-Eb
Approval Marks	CE marking KEMA Keur certificate CB Certificate RoHS Compliant
Hum And Noise Level	< 30 dB(A)

### Product Data

Full product code	871829177064000
Order product name	HF-E 1/2 58 TL-D II 220-240V 50/60Hz
EAN/UPC - Product	8718291770640
Order code	77064000
Numerator - Quantity Per Pack	1
Numerator - Packs per outer box	20
Material Nr. (12NC)	913713040966
Net Weight (Piece)	0.155 kg

## Dimensional drawing



HF-E 1/2 58 TL-D II 220-240V 50/60Hz

Product	D1	C1	A1	A2	B1
HF-E 1/2 58 TL-D II 220-240V 50/60Hz	4.2 mm	28.7 mm	211.0 mm	198.0 mm	40.0 mm

## HF-Essential II for TL5/TL-D

