



HF-Essential II for TL5/TL-D

HF-E 136 TL-D II 220-240 50/60Hz

Essentially smart and reliable HF-Essential II is the most cost-effective solution for reliably operation of a fluorescent lamp. It is also the ideal entry-level product for electromagnetic system users who want to take advantage of the benefits provided by electronic ballasts. The cost-saving and reliable HF-Essential II is energy efficiency class A2, and its robust design meets all relevant international safety and performance standards. HF-Essential II is the ideal choice for a broad range of new construction and retrofit applications within the commercial sector, including general surface mounting and office lighting, parking garages, warehouses and other applications.

Product data

General Information	
Lamp Type	TL-D II
Number of Lamps	1/2 piece/unit
Number of Products on MCB (16A Type B) (Nom)	20
Automatic Restart	Yes
Operating and Electrical	
Input Voltage	220 to 240 V
Input Frequency	50 to 60 Hz
Operating Frequency (Nom)	49.4 kHz
Crestfactor (Nom)	1.8
Power Factor 100% Load (Nom)	0.97
Preheat Time	1.4 s
Mains Voltage Performance (AC)	220-240V
Mains Voltage Safety (AC)	184-276V

Earth Leakage Current (Max)	0.5 mA
Inrush Current Width	0.37 ms
Ballast Factor (Nom)	0.95
Power Losses (Nom)	3.74 W
Inrush Current Peak (Max)	15 A
Wiring	
Connector Type Input Terminals	Insert
Cable Capacity Output Wires Mutual (Max)	150 pF
Connector Type Output Terminals	Insert
Cable Length Hot Wiring	0.75 m
Wire Striplength	8.0-9.0 mm
Dual Fixture Master/Slave	Possible, lamp wires 0.75m max. length [Master/Slave operation possible]
Input Terminal Cross Section	0.50-1.50 mm ²
Output Terminal Cross Section	0.50-1.50 mm ²

HF-Essential II for TL5/TL-D

Cable Capacity Cold Output Wires - Earth (Max)	150 pF
Cable Capacity Hot Output Wires - Earth (Max)	150 pF

System characteristics

Rated Ballast-Lamp Power	36/18 W
Lamp Power on TL-D	29.84 W
Power Loss on TL-D	3.74 W

Temperature

T-Ambient (Max)	50 °C
T-Ambient (Min)	-10 °C
T-Storage (Max)	50 °C
T-Storage (Min)	-20 °C
T-Case Lifetime (Nom)	80 °C
T-Case Maximum (Max)	80 °C

Mechanical and Housing

Housing	L 150x40x28
---------	-------------

Emergency Operation

Nominal Light Output After 60 Seconds	100% of EBLF
Normal Operating Voltage (DC)	220-240 V
Battery Voltage Guaranteed Operation	176-275 V
Battery Voltage Guaranteed Ignition	186-275 V

Emergency Ballast Lumen Factor (EBLF) (Nom)	100 %
Nominal Light Output After 5 Seconds	50% of EBLF

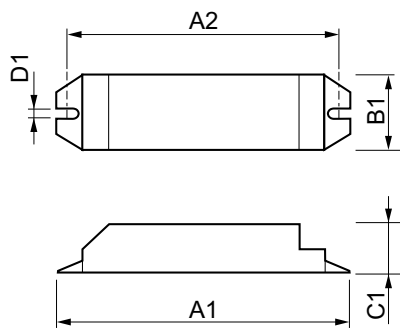
Approval and Application

Energy Efficiency Index	A2
IP Classification	IP 20 [Ingress Protection 20]
EMI 9 kHz ... 30 MHz	EN55015
Vibration Standard	IEC60068-2-6_2007-Fc
Bumps Standard	IEC 60068-2-29 Eb
Approval Marks	CE marking CB Certificate KEMA Keur certificate RoHS Compliant
Hum And Noise Level	< 30 dB(A)

Product Data

Full product code	871829177056500
Order product name	HF-E II 136 TL-D 220-240V 50/60Hz
EAN/UPC - Product	8718291770565
Order code	77056500
Numerator - Quantity Per Pack	1
Numerator - Packs per outer box	20
Material Nr. (12NC)	913713041066
Net Weight (Piece)	0.090 kg

Dimensional drawing



HF-E 136 TL-D II 220-240V 50/60Hz

Product	D1	C1	A1	A2	B1
HF-E II 136 TL-D 220-240V 50/60Hz	4.2 mm	28.0 mm	150.0 mm	138.0 mm	39.6 mm

HF-Essential II for TL5/TL-D

