



# HF-Essential II for TL5/TL-D

## HF-E 214 TL5 II 220-240V 50/60Hz

Essentially smart and reliable. HF-Essential II is the most cost-effective solution for reliably operation of a fluorescent lamp. It is also the ideal entry-level product for electromagnetic system users who want to take advantage of the benefits provided by electronic ballasts. The cost-saving and reliable HF-Essential II is energy efficiency class A2, and its robust design meets all relevant international safety and performance standards. HF-Essential II is the ideal choice for a broad range of new construction and retrofit applications within the commercial sector, including general surface mounting and office lighting, parking garages, warehouses and other applications.

### Product data

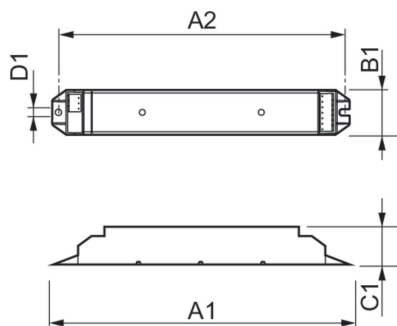
Operating and Electrical		T-Case Lifetime (Nom)		T-Case Maximum (Max)	
Input Voltage	220 to 240 V		75 °C		75 °C
Line Frequency	50 to 60 Hz	<b>Mechanical and Housing</b>			
Input Frequency	50 to 60 Hz	Housing	L 280x29.3x26		
Earth Leakage Current (Max)	0.5 mA	<b>Approval and Application</b>			
Inrush Current Width	0.12 ms	Ingress protection code	IP20 [Finger-protected]		
Inrush Current Peak (Max)	11.93 A	Energy Efficiency Index	A2		
Number of Products on MCB (16A Type B) (Nom)	30	Approval Marks	CE marking KEMA Keur certificate RoHS Compliant		
<b>Wiring</b>		<b>Product Data</b>			
Connector Type Input Terminals	Insert	Order product name	HF-E 214 TL5 II 220-240V 50/60Hz		
Connector Type Output Terminals	Insert	Full product name	HF-E 214 TL5 II 220-240V 50/60Hz		
<b>Temperature</b>		Full product code	871869641699000		
Ambient temperature range	0 °C to 50 °C				

## HF-Essential II for TL5/TL-D

Order code	41699000
Material Nr. (12NC)	913713041566
Numerator - Quantity Per Pack	1
EAN/UPC - Product/Case	8718696416990

Numerator - Packs per outer box	50
EAN/UPC - Case	8718696417003

### Dimensional drawing



Product	D1	C1	A1	A2	B1
HF-E 214 TL5 II 220-240V 50/60Hz	4.2 mm	26.0 mm	280.0 mm	270.0 mm	29.3 mm

