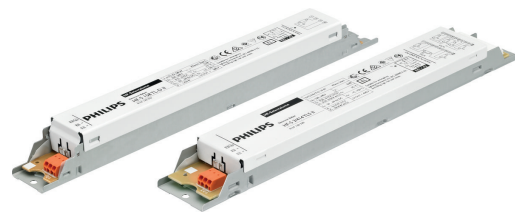


PHILIPS

Lighting



HF-Selectalume II for TL5 lamps

HF-S 180 TL5 II 220-240V 50/60Hz

HF-Selectalume II TL5 is the most cost-effective, reliable and outstanding solution for fluorescent lamps. These ballasts are part of an overall high-efficiency lighting system that may help you or your customers to achieve any international or local energy code you need to comply with. HF-Selectalume II TL5 ballasts are the ideal choice for a broad range of new construction and retrofit applications within the commercial sector, including general surface mounting or office lighting, parking garages, warehouses, waterproof and other applications.

Product data

| General Information | |
|--|-------------------|
| Application Code | II |
| Type Version | - |
| Lamp Type | TL5/PL-L |
| Number of Lamps | 1 piece/unit |
| Number of Products on MCB (16A Type B) (Nom) | 20 |
| Automatic Restart | Yes |
| Operating and Electrical | |
| Input Voltage | 220 to 240 V |
| Input Frequency | 50 to 60 Hz |
| Operating Frequency (Nom) | 45 kHz |
| Crestfactor (Nom) | 1.7 |
| Power Factor 100% Load (Nom) | 0.99 |
| Preheat Time | 0.5 s |
| Mains Voltage Performance (AC) | 202-254V-8%-+6% |
| Mains Voltage Safety (AC) | 198-264V-10%-+10% |

| Earth Leakage Current (Max) | 0.5 mA |
|--|--|
| Inrush Current Width | 0.30 ms |
| Ballast Factor (Nom) | 1 |
| Power Losses (Nom) | 4.5-4.0 W |
| Inrush Current Peak (Max) | 24 A |
| Wiring | |
| Connector Type Input Terminals | WAGO 744 connector |
| Cable Capacity Output Wires Mutual (Max) | 200 pF |
| Connector Type Output Terminals | WAGO 744 connector [Suitable for manual wiring] |
| Cable Length Hot Wiring | 0.75 m |
| Wire Striplength | 8.0-9.0 mm |
| Dual Fixture Master/Slave | Possible, lamp wires 2m max. length [Master/Slave operation possible] |
| Input Terminal Cross Section | 0.50-1.00 mm ² |
| Output Terminal Cross Section | 0.50-1.00 mm ² |

HF-Selectalume II for TL5 lamps

| | |
|--|--------|
| Cable Capacity Cold Output Wires - Earth (Max) | 200 pF |
| Cable Capacity Hot Output Wires - Earth (Max) | 200 pF |

System characteristics

| | |
|--------------------------|-------------|
| Rated Ballast-Lamp Power | 80 W |
| Rated Lamp Power on TL5 | 80 W |
| System Power on TL5 | 74.5/78.0 W |
| Lamp Power on TL5 | 70/74 W |
| Power Loss on TL5 | 4.5/4.0 W |

Temperature

| | |
|-----------------------|--------|
| T-Ambient (Max) | 60 °C |
| T-Ambient (Min) | -20 °C |
| T-Storage (Max) | 50 °C |
| T-Storage (Min) | -40 °C |
| T-Case Lifetime (Nom) | 75 °C |
| T-Case Maximum (Max) | 75 °C |

Mechanical and Housing

| | |
|---------|------------|
| Housing | L360x30x22 |
|---------|------------|

Emergency Operation

| | |
|---------------------------------------|--------------|
| Nominal Light Output After 60 Seconds | 100% of EBLF |
| Normal Operating Voltage (DC) | 220-240 V |
| Battery Voltage Guaranteed Operation | 176-275 V |

| | |
|---|-------------|
| Battery Voltage Guaranteed Ignition | 186-275 V |
| Emergency Ballast Lumen Factor (EBLF) (Nom) | 100 % |
| Nominal Light Output After 5 Seconds | 50% of EBLF |

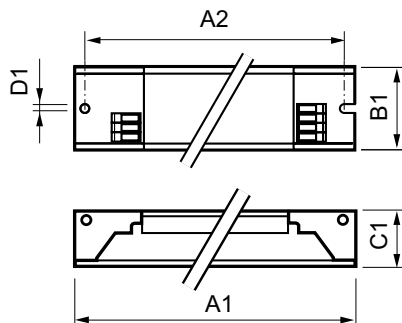
Approval and Application

| | |
|-------------------------|--|
| Energy Efficiency Index | A2 BAT |
| IP Classification | IP 20 [Ingress Protection 20] |
| EMI 9 kHz ... 30 MHz | EN55015 |
| Vibration Standard | IEC68-2-6 F c |
| Bumps Standard | IEC 68-2-29 Eb |
| Approval Marks | CE marking ENEC certificate CCC certificate C-Tick certificate TISI marking SIRIM approval CCC certificate |
| Hum And Noise Level | 30 dB(A) |

Product Data

| | |
|---------------------------------|---------------------------------------|
| Full product code | 871829175846400 |
| Order product name | HF-S 180 TL5/PL-L II 220-240V 50/60Hz |
| EAN/UPC - Product | 8718291758464 |
| Order code | 75846400 |
| Numerator - Quantity Per Pack | 1 |
| Numerator - Packs per outer box | 12 |
| Material Nr. (12NC) | 913713042266 |
| Net Weight (Piece) | 0.250 kg |

Dimensional drawing



HF-S 180 TL5/PL-L II 220-240V 50/60Hz

| Product | A1 | B1 | C1 | A2 | B2 | D1 |
|---------------------------------------|----------|---------|---------|----------|----|--------|
| HF-S 180 TL5/PL-L II 220-240V 50/60Hz | 360.0 mm | 30.0 mm | 22.0 mm | 350.0 mm | | 4.2 mm |

HF-Selectalume II for TL5 lamps

