



HF-Selectalume II for TL5 lamps

HF-S 280 TL5 II 220-240V 50/60Hz

HF-Selectalume II TL5 is the most cost-effective, reliable and outstanding solution for fluorescent lamps. These ballasts are part of an overall high-efficiency lighting system that may help you or your customers to achieve any international or local energy code you need to comply with. HF-Selectalume II TL5 ballasts are the ideal choice for a broad range of new construction and retrofit applications within the commercial sector, including general surface mounting or office lighting, parking garages, warehouses, waterproof and other applications.

Product data

General Information	
Application Code	II
Type Version	-
Lamp Type	TL5/PL-L
Number of Lamps	2 piece/unit
Number of Products on MCB (16A Type B) (Nom)	8
Automatic Restart	Yes
Operating and Electrical	
Input Voltage	220 to 240 V
Input Frequency	50 to 60 Hz
Operating Frequency (Nom)	45 kHz
Crestfactor (Nom)	1.7
Power Factor 100% Load (Nom)	0.99
Preheat Time	0.5 s
Mains Voltage Performance (AC)	202-254V -8% - +6%
Mains Voltage Safety (AC)	198-264V -10% - +10%

Earth Leakage Current (Max)	0.7 mA
Inrush Current Width	0.38 ms
Ballast Factor (Nom)	1
Power Losses (Nom)	10-9.5 W
Inrush Current Peak (Max)	35 A
Wiring	
Connector Type Input Terminals	WAGO 744 connector
Cable Capacity Output Wires Mutual (Max)	200 pF
Connector Type Output Terminals	WAGO 744 connector [Suitable for manual wiring]
Cable Length Hot Wiring	0.75 m
Wire Striplength	8.0-9.0 mm
Dual Fixture Master/Slave	Possible, lamp wires 2m max. length [Master/Slave operation possible]
Input Terminal Cross Section	0.50-1.50 mm ²
Output Terminal Cross Section	0.50-1.50 mm ²

HF-Selectalume II for TL5 lamps

Cable Capacity Cold Output Wires - Earth (Max)	200 pF
Cable Capacity Hot Output Wires - Earth (Max)	200 pF

System characteristics

Rated Ballast-Lamp Power	80 W
Lamp Power on PL-L	162 W
Power Loss on PL-L	9.5 W
Lamp Power on TL5	165 W
Power Loss on TL5	10 W

Temperature

T-Ambient (Max)	55 °C
T-Ambient (Min)	-25 °C
T-Storage (Max)	50 °C
T-Storage (Min)	-40 °C
T-Case Lifetime (Nom)	80 °C
T-Case Maximum (Max)	80 °C

Mechanical and Housing

Housing	L 425x30x21
---------	-------------

Emergency Operation

Nominal Light Output After 60 Seconds	100% of EBLF
Normal Operating Voltage (DC)	220-240 V
Battery Voltage Guaranteed Operation	176-275 V

Battery Voltage Guaranteed Ignition	186-275 V
Emergency Ballast Lumen Factor (EBLF) (Nom)	100 %
Nominal Light Output After 5 Seconds	50% of EBLF

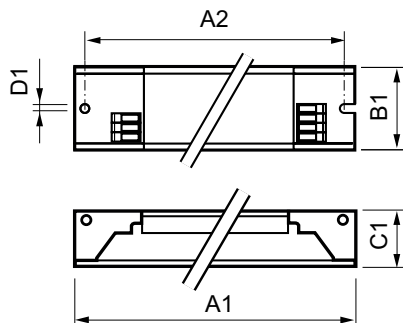
Approval and Application

Energy Efficiency Index	A2 BAT
IP Classification	IP 20 [Ingress Protection 20]
EMI 9 kHz ... 30 MHz	EN55015
Vibration Standard	IEC68-2-6 F c
Bumps Standard	IEC 68-2-29 Eb
Approval Marks	CE marking ENEC certificate CCC certificate C-Tick certificate TISI marking
Hum And Noise Level	30 dB(A)

Product Data

Full product code	871829175848800
Order product name	HF-S 280 TL5/PL-L II 220-240V 50/60Hz
EAN/UPC - Product	8718291758488
Order code	75848800
Numerator - Quantity Per Pack	1
Numerator - Packs per outer box	12
Material Nr. (12NC)	913713042366
Net Weight (Piece)	0.360 kg

Dimensional drawing



HF-S 280 TL5/PL-L II 220-240V 50/60Hz

Product	D1	C1	A1	A2	B1
HF-S 280 TL5/PL-L II 220-240V 50/60Hz	4.2 mm	21.0 mm	425.0 mm	415.0 mm	30.0 mm

HF-Selectalume II for TL5 lamps

