



HF-Essential II for TL5/TL-D

HF-E 1/2 28-35 TL5 II 220-240 50/60Hz

Essentially smart and reliable HF-Essential II is the most cost-effective solution for reliably operation of a fluorescent lamp. It is also the ideal entry-level product for electromagnetic system users who want to take advantage of the benefits provided by electronic ballasts. The cost-saving and reliable HF-Essential II is energy efficiency class A2, and its robust design meets all relevant international safety and performance standards. HF-Essential II is the ideal choice for a broad range of new construction and retrofit applications within the commercial sector, including general surface mounting and office lighting, parking garages, warehouses and other applications. The ballast is primarily designed for Indoor application. For outdoor application, the luminaire should be minimum Class II need to be sufficiently protected against water & dust. The installation should also be guard against any lightning surge or any other necessary electrical protection as deemed in such typical installation & application.

Product data

General Information		Electrical	
Lamp Type	TL5 HE	Ignition Method	Warm Start
Number of Lamps	1/2 piece/unit	Crestfactor (Max)	1.7
Suitable For Outdoor Use	No	Power Factor 100% Load (Nom)	0.97
Number of Products on MCB (16A Type B) (Nom)	25	Preheat Time	1.7 s
Automatic Restart	Yes	Ignition Time (Max)	0.84 s
Operating and Electrical		Mains Voltage Performance (AC)	202-254V-8%~+6%
Input Voltage	220 to 240 V	Mains Voltage Safety (AC)	198-264V-10%~+10%
Input Frequency	50 to 60 Hz	Earth Leakage Current (Max)	0.5 mA
Operating Frequency (Nom)	45.0 kHz	Inrush Current Width	0.23 ms
		Power Factor (Nom)	0.97
		Input Current (Max)	0.41 A
		Input Current (Min)	0.127 A

HF-Essential II for TL5/TL-D

Input Power (Max)	75 W
Power Losses (Max)	10 W
Inrush Current Peak (Max)	21 A

Wiring

Connector Type Input Terminals	WAGO 744 connector
Connector Type Output Terminals	Wago 744
Cable Length Hot Wiring	0.75 m
Wire Striplength	8.0-9.0 mm
Input Terminal Cross Section	0.50-1.50 mm ²
Output Terminal Cross Section	0.50-1.50 mm ²
Cable Capacity Cold Output Wires - Earth (Max)	200 pF
Cable Capacity Hot Output Wires - Earth (Max)	200 pF

System characteristics

Lamp Power on TL5 HE	28-35 W
----------------------	---------

Temperature

T-Ambient (Max)	50 °C
T-Ambient (Min)	0 °C
T-Storage (Max)	80 °C
T-Storage (Min)	-40 °C
T-Case Lifetime (Nom)	75 °C
T-Case Maximum (Max)	75 °C

Mechanical and Housing

Housing	L 211x40x28.7
---------	---------------

Emergency Operation

Nominal Light Output After 60 Seconds	100% of EBLF
Normal Operating Voltage (DC)	230 V
Emergency Ballast Lumen Factor (EBLF) (Nom)	100 %
Nominal Light Output After 5 Seconds	50% of EBLF

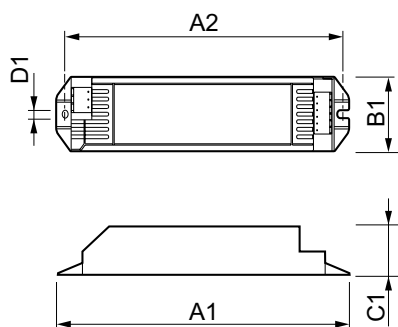
Approval and Application

Energy Efficiency Index	A2
IP Classification	IP 20 [Ingress Protection 20]
Overvoltage Protection 276Vac	2 h
EMI 9 kHz ... 30 MHz	EN55015
Safety Standard	IEC 61347-2-3
Vibration Standard	IEC60068-2-6_2007-Fc
Bumps Standard	IEC 60068-2-29:1993-Eb
Approval Marks	CE marking KEMA Keur certificate CB Certificate RoHS Compliant

Product Data

Full product code	871869656767800
Order product name	HF-E 1/2 28-35 TL5 II 220-240 50/60Hz
EAN/UPC - Product	8718696567678
Order code	913713042866
Numerator - Quantity Per Pack	1
Numerator - Packs per outer box	20
Material Nr. (12NC)	913713042866
Net Weight (Piece)	0.115 kg

Dimensional drawing



HF-E 1/2 28-35 TL5 II 220-240 50/60Hz

Product	A1	B1	C1	D1	A2
HF-E 1/2 28-35 TL5 II 220-240 50/60Hz	211 mm	40 mm	28.7 mm	4.2 mm	198 mm

HF-Essential II for TL5/TL-D

