



GrandeVille LED

BPS962 GRN34/840 DF CLO-DDF6 C4K

Grandville LED - LED GreenLine 3400 lm - Diffuser element

Today's customers want a luminaire that provides both energy efficiency and a visually comfortable lighting effect. GrandeVille LED combines functional and aesthetical characteristics. Its classic design, with clean lines and robust materials, makes it ideal for all urban settings. The luminaire is well shielded and delivers clear white light, while at the same time enabling considerable energy savings. GrandeVille LED is suitable for mounting on poles or wall brackets. GrandeVille LED offers a choice of rotation-symmetric light distribution or asymmetric light distribution, which prevents undesired spill light. Cover needs to be ordered separately, available in grey or white

Product data

General Information		Remarks	
Number of light sources	1 pc	*-Per Lighting Europe guidance paper "Evaluating performance of LED based luminaires - January 2018": statistically there is no relevant difference in lumen maintenance between B50 and for example B10. Therefore the median useful life (B50) value also represents the B10 value. * At extreme ambient temperatures the luminaire might automatically dim down to protect components	
Lamp family code	GRN34 [LED GreenLine 3400 lm]		
Light source color	840 neutral white		
Light source replaceable	Yes		
Driver/power unit/transformer	Power supply unit regulating		
Driver included	Yes		
Optical element	Diffuser element		
Embedded control	Constant light output and DynaDimmer fixed presets version 6		
Control interface	-		
Cable	Cable 4.0 m without plug		
Protection class IEC	Safety class II	Constant light output	Yes
CE mark	CE mark	Serviceability class	Class C, luminaire without serviceable parts, not serviceable
ENEC mark	-	Product family code	BPS962 [GrandeVille LED]

GrandeVille LED

Light Technical

Standard tilt angle posttop	0°
-----------------------------	----

Operating and Electrical

Input Voltage	220 to 240 V
Input Frequency	50 to 60 Hz
Control signal voltage	1-10 V DC

Controls and Dimming

Dimmable	Yes
----------	-----

Mechanical and Housing

Housing Material	Aluminum
Optical cover/lens material	Polycarbonate
Mounting device	Post-top for diameter 60 mm
Color	Gray

Approval and Application

Ingress protection code	IP65 [Dust penetration-protected, jet-proof]
Mech. impact protection code	IK10 [20 J vandal-resistant]

Initial Performance (IEC Compliant)

Init. Corr. Color Temperature	4000 K
-------------------------------	--------

Over Time Performance (IEC Compliant)

Control gear failure rate at median useful life 100000 h	10 %
--	------

Lumen maintenance at median useful life* 100000 h	L100
---	------

Application Conditions

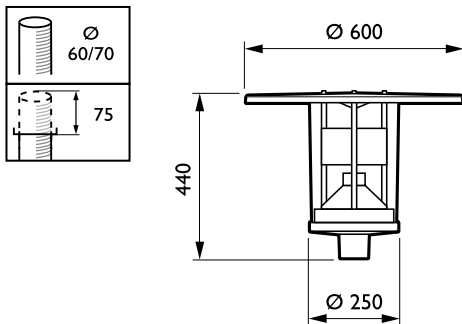
Ambient temperature range	-40 to +50 °C
---------------------------	---------------

Performance ambient temperature Tq	25 °C
------------------------------------	-------

Product Data

Full product code	871829156334100
Order product name	BPS962 GRN34/840 DF CLO-DDF6 C4K
EAN/UPC - Product	8718291563341
Order code	919008630302
Numerator - Quantity Per Pack	1
Numerator - Packs per outer box	1
Material Nr. (12NC)	919008630302
Net Weight (Piece)	6.500 kg

Dimensional drawing



Grandeville LED BPS962

